



# *Operator's Manual*

Serial Number Range

**S-40**  
**S-45**

from 14678

ANSI/CSA  
North America  
South America  
Asia

with  
Maintenance  
Information

Fifth Edition  
Fifth Printing  
Part No. 133026

---

## Important

Read, understand and obey these safety rules and operating instructions before operating this machine. Only trained and authorized personnel shall be permitted to operate this machine. This manual should be considered a permanent part of your machine and should remain with the machine at all times. If you have any questions, contact us.

---

## Contact Us:

Internet: [www.genielift.com](http://www.genielift.com)

E-mail: [awp.techpub@terex.com](mailto:awp.techpub@terex.com)

---

## Contents

Introduction .....	1
Symbol and Hazard Pictorials Definitions.....	3
General Safety .....	5
Personal Safety.....	11
Work Area Safety.....	12
Legend .....	22
Controls.....	23
Inspections.....	30
Operating Instructions.....	46
Transport and Lifting Instructions .....	57
Maintenance .....	61
Specifications.....	65

---

Copyright © 2011 by Terex Corporation

Fifth Edition: Fifth Printing, July 2013

Genie and "S" are registered trademark of Terex South Dakota, Inc. in the U.S.A. and many other countries.

These machines comply with  
ANSI/SIA 92.5  
CSA B.354.4

# Introduction

## Owners, Users and Operators:

Thank you for choosing our machine for your application. Our number one priority is user safety, which is best achieved by our joint efforts. We feel that you make a major contribution to safety if you, as the equipment users and operators:

- 1 Comply** with employer, job site and governmental rules.
- 2 Read, understand and follow** the instructions in this and other manuals supplied with this machine.
- 3 Use good safe work practices** in a commonsense way.
- 4 Only have trained/certified operators**, directed by informed and knowledgeable supervision, running the machine.



---

## Danger

Failure to obey the instructions and safety rules in this manual will result in death or serious injury.

---

## Do Not Operate Unless:

- You learn and practice the principles of safe machine operation contained in this operator's manual.
  - 1 Avoid hazardous situations.**

**Know and understand the safety rules before going on to the next section.**

    - Always perform a pre-operation inspection.
    - Always perform function tests prior to use.
    - Inspect the workplace.
    - Only use the machine as it was intended.
- You read, understand and obey the manufacturer's instructions and safety rules—safety and operator's manuals and machine decals.
- You read, understand and obey employer's safety rules and worksite regulations.
- You read, understand and obey all applicable governmental regulations.
- You are properly trained to safely operate the machine.

# Introduction

## Hazard Classification

Decals on this machine use symbols, color coding and signal words to identify the following:



Safety alert symbol—used to alert you to potential personal injury hazards. Obey all safety messages that follow this symbol to avoid possible injury or death.

### **⚠ DANGER**

Indicates a hazardous situation which, if not avoided, will result in death or serious injury.

### **⚠ WARNING**

Indicates a hazardous situation which, if not avoided, could result in death or serious injury.

### **⚠ CAUTION**

Indicates a hazardous situation which, if not avoided, could result in minor or moderate injury.

### **NOTICE**

Indicates a property damage message.


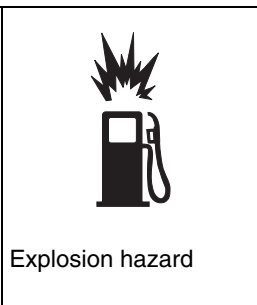

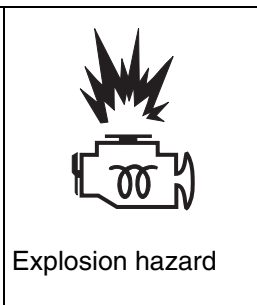
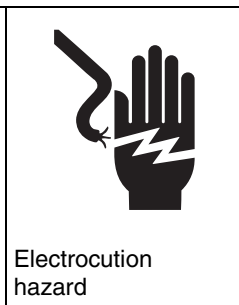
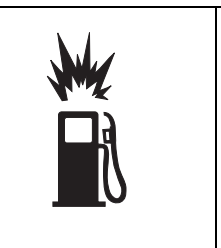
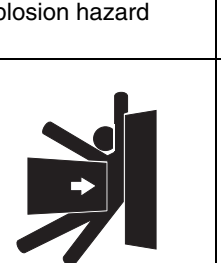
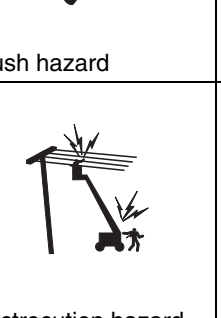





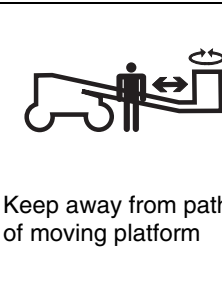



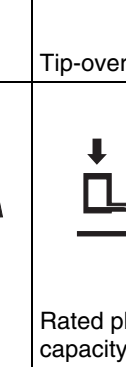
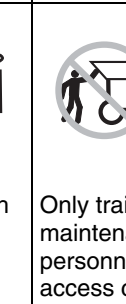

## Intended Use

This machine is intended to be used only to lift personnel, along with their tools and materials to an aerial work site.


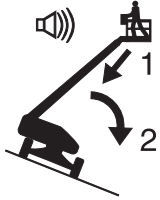
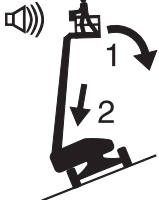





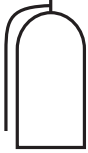
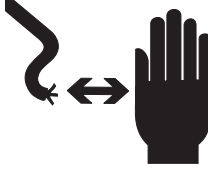
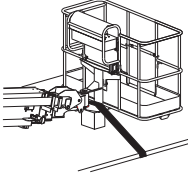
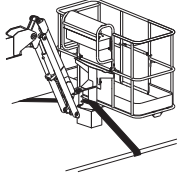
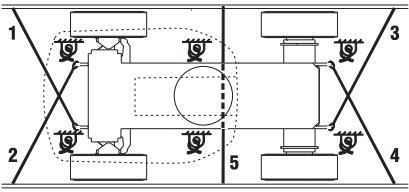
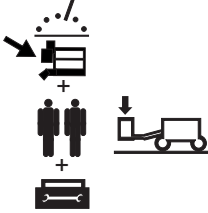

## Safety Sign Maintenance

Replace any missing or damaged safety signs. Keep operator safety in mind at all times. Use mild soap and water to clean safety signs. Do not use solvent-based cleaners because they may damage the safety sign material.

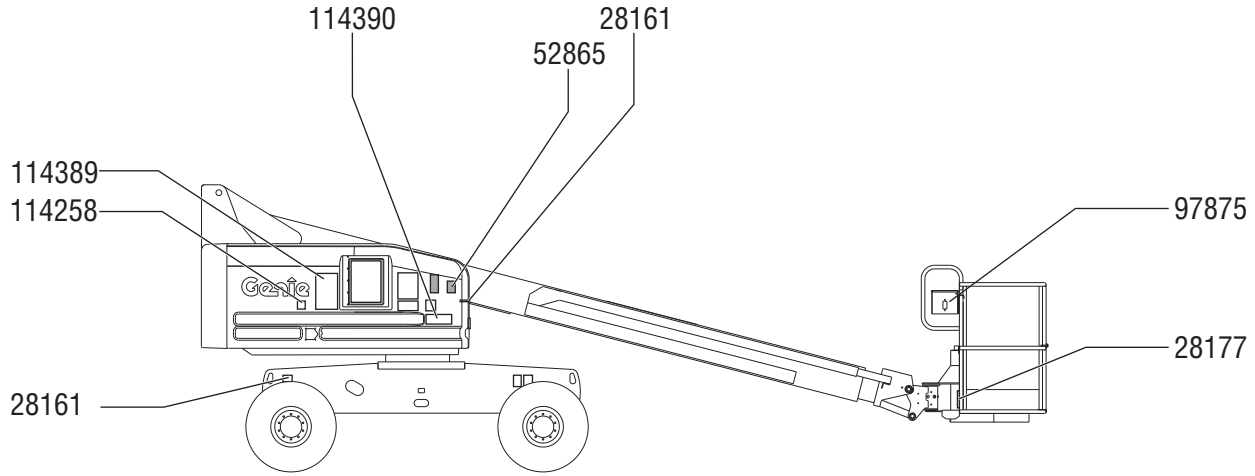
## Symbol and Hazard Pictorials Definitions

				
Crush hazard	Explosion hazard	Fire hazard	Explosion hazard	Electrocution hazard
				
Fall hazard	Crush hazard	Tip-over hazard	Tip-over hazard	Tip-over hazard
				
Tip-over hazard	Electrocution hazard	Read the service manual	Rated platform capacity	Keep off this surface.
				
Keep away from moving parts	Maintain required clearance	Keep away from path of moving platform	Only trained maintenance personnel should access compartments	Read the operator's manual

# Symbol and Hazard Pictorials Definitions


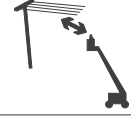
 <p>No smoking No flame Stop engine</p>	 <p>Platform downhill: 1 Retract boom. 2 Lower boom.</p>	 <p>Platform uphill: 1 Lower boom. 2 Retract boom.</p>	 <p>Do not use ether or other high energy starting aids on machines equipped with glow plugs</p>	 <p>Lanyard attachment point</p>
 <p>Wheel load</p>	 <p>Voltage rating for power to platform</p>	 <p>Pressure rating for air line to platform</p>	 <p>Fire extinguisher</p>	 <p>Avoid contact</p>
 <p>Tie-down instructions</p>	 <p>Tie-down instructions</p>	 <p>Tie-down instructions</p>	 <p>Weight of welder reduces capacity</p>	
 <p>Wind speed</p>				

# General Safety



## 114390

**⚠ DANGER**

**Electrocution Hazard**  
Death or injury can result from contacting electric power lines.



Always contact the electric power line owner. The electric power shall be disconnected or the power lines moved or insulated before machine operations begin.

114390 A

Maintain required clearance.		
Line Voltage	Required Clearance	
0 to 50KV	10 ft	3,0 m
50 to 200KV	15 ft	4,6 m
200 to 350KV	20 ft	6,1 m
350 to 500KV	25 ft	7,6 m
500 to 750KV	35 ft	10,6 m
750 to 1000KV	45 ft	13,7 m

## 114258

**⚠ DANGER**


**Burn Hazard**  
Fuel and fumes can explode and burn.

**No smoking. No flame. Stop engine.**


114258 A

## 28161

**⚠ WARNING**



**Crush Hazard**  
Contact with moving parts can result in death or serious injury.




Keep away from moving parts.


28161 C

## 28177

**⚠ WARNING**



**Crush Hazard**  
Death or serious injury may result from crushing personnel against boom.




Keep away from path of moving platform.

28177 C

## 52865

**⚠ WARNING**



**Annual Inspection Record**  
Failure to complete required inspections could result in death or serious injury.

Scheduled maintenance inspections must be completed as specified in the appropriate service manual.

Use this decal to record the date of the annual inspection, the initials of the inspector and the machine owner.

Use the maintenance inspection report in the service manual for required recordkeeping. Keep records on all inspections for four years.

Maintenance inspections must be completed by a person trained and qualified on the maintenance of this machine.

52865 B

Model	Serial Number
Date of Inspection	
Inspected by	
Machine Owner	

## 97875

**⚠ WARNING**

**Electrocution Hazard**  
Failure to properly connect and use the weld line to platform could result in death or serious injury.

Read, understand and obey all warnings and instructions provided with welding power unit.

Turn welding power unit off before connecting leads.

Be sure weld cables are properly connected.

DC weld only: 40V, 300 amp maximum.

**Component Damage Hazard**  
Failure to properly connect weld leads may result in machine or component damage.

Turn welding power unit off before connecting leads.

Connect leads to twist-lock connectors at turntable and platform.

97875 A

## 114389

**⚠ DANGER**

**Failure to read, understand and obey the operator's manual and the following safety rules will result in death or serious injury.**

**Improper Use Hazard**

The operator is responsible for safe machine operation. This includes:

- Avoid hazardous situations.
- Always perform a pre-operation inspection.
- Always perform function tests prior to use.
- Inspect work place.
- Only use the machine as it was intended.

Do not operate unless:

- You read, understand and obey:
  - manufacturer's instructions and safety rules — safety and operator's manuals and decals
  - employer's safety rules
  - applicable governmental regulations
- You are properly trained to safely operate this machine.

**Electrocution Hazards**

This machine is not electrically insulated and will not provide protection from contact with or proximity to electrical current.

Line Voltage	Minimum Clearance
0 to 50KV	10 ft 3,0 m
50 to 200KV	15 ft 4,6 m
200 to 350KV	20 ft 6,1 m
350 to 500KV	25 ft 7,6 m
500 to 750KV	35 ft 10,6 m
750 to 1000KV	45 ft 13,7 m

Do not alter or disable machine components that in any way affect safety and stability.

Do not push off or pull toward any object outside of the platform.

Do not place or attach overhanging loads to any part of this machine.

Do not place ladders or scaffolds in platform or against any part of this machine.

Do not use machine on a moving or mobile surface or vehicle.

Be sure all tires are in good condition, all tires are properly inflated and lug nuts are properly tightened.

**Fall Hazards**

Occupants must wear a safety belt or harness in accordance with governmental regulations. Attach lanyard to anchor provided in platform.

Do not sit, stand or climb on the platform guard rails.

Maintain a firm footing on the platform floor at all times.

Do not drop down from the platform when raised.

Lower the platform entirely and/or drop the entry gate before operating.

**Collision Hazards**

Be aware of limited sight distance and blind spots when driving or operating.

Check work area for overhead obstructions or other possible hazards.

Be aware of crushing hazard when grasping the platform guard rail.

Observe and use color-coded direction arrows at the platform controls and drive chassis for drive and steer functions.

Do not lean the boom unless the area below is clear of personnel and obstructions.

**Explosion Hazard**

Do not start engine if you smell or detect liquid petroleum gas (LPG), gasoline, diesel fuel or other flammable substances.

Do not refuel the machine with the engine running.

**Damaged Machine Hazards**

Do not use a damaged or malfunctioning machine.

Be sure all maintenance has been performed as specified in the appropriate operator's and service manuals.

Be sure all decals are in place and legible.

Be sure safety, operator's and responsibilities manuals are complete, legible and in the storage container located on the platform.

114389 A

Part No. 133026

**Genie**  
A TEREX BRAND

S-40 • S-45

5

# General Safety

114389

**⚠ DANGER**

**Failure to read, understand and obey the operator's manual and the following safety rules will result in death or serious injury.**

**Improper Use Hazard**  
The operator is responsible for safe machine operation. This includes:

1. Avoid hazardous situations.
2. Always perform a pre-operation inspection.
3. Always perform function tests prior to use.
4. Inspect work place.
5. Only use the machine as it was intended.

Do not operate unless:

- manufacturer's instructions and safety rules — safety and operator's manuals and decals
- employer's safety rules
- applicable governmental regulations

You are properly trained to safely operate this machine.

**Electrocution Hazards**  
This machine is not electrically insulated and will not provide protection from contact with or proximity to electrical current.

Line Voltage	Required Clearance
0 to 50kV	10 ft 3.0 m
50 to 200kV	15 ft 4.6 m
200 to 350kV	20 ft 6.1 m
350 to 500kV	25 ft 7.6 m
500 to 750kV	35 ft 10.6 m
750 to 1000kV	45 ft 13.7 m

**Tip-over Hazards**  
Do not raise or extend boom unless machine is on firm, level ground.  
Do not depend on tilt alarm as a level indicator. Tilt alarm sounds in platform only when machine is on a severe slope.  
Do not raise boom when wind speeds may exceed 28 mph / 12.5 m/s.  
Do not operate machine in strong or gusty winds. Do not increase surface area of platform or load. Increasing area exposed to wind will decrease machine stability.  
Do not drive machine on or near uneven terrain, unstable surfaces or other hazardous conditions with boom raised or extended.  
Do not drive machine on a slope that exceeds the maximum slope or side slope rating for the machine.  
Use extreme care and slow speeds while driving the machine in stowed position across uneven terrain, debris, unstable or slippery surfaces and near holes and drop-offs.  
Do not attempt to free a caught or snagged platform using platform controls. All personnel must be removed from platform before attempting to free platform using ground controls.

Do not alter or disable machine components that in any way affect safety and stability.  
Do not push off or pull toward any object outside of the platform.  
Do not place or attach overhanging loads to any part of this machine.  
Do not place ladders or scaffolds in platform or against any part of this machine.  
Do not use machine on a moving or mobile surface or vehicle.  
Be sure all tires are in good condition, air-filled tires are properly inflated and lug nuts are properly tightened.

**Fall Hazards**  
Occupants must wear a safety belt or harness in accordance with governmental regulations. Attach lanyard to anchor provided in platform.  
Do not sit, stand or climb on the platform guard rails.  
Maintain a firm footing on the platform floor at all times.  
Do not climb down from the platform when raised.  
Lower the platform entry mid-rail or close the entry gate before operating.

**Collision Hazards**  
Be aware of limited sight distance and blind spots when driving or operating.  
Check work area for overhead obstructions or other possible hazards.  
Be aware of crushing hazard when grasping the platform guard rail.  
Observe and use color-coded direction arrows on the platform controls and drive chassis for drive and steer functions.  
Do not lower the boom unless the area below is clear of personnel and obstructions.

**Explosion Hazard**  
Do not start engine if you smell or detect liquid petroleum gas (LPG), gasoline, diesel fuel or other explosive substances.  
Do not refuel the machine with the engine running.

**Damaged Machine Hazards**  
Do not use a damaged or malfunctioning machine.  
Be sure all maintenance has been performed as specified in the appropriate operator's and service manuals.  
Be sure all decals are in place and legible.  
Be sure safety, operator's and responsibilities manuals are complete, legible and in the storage container located on the platform.

114389 A

82862

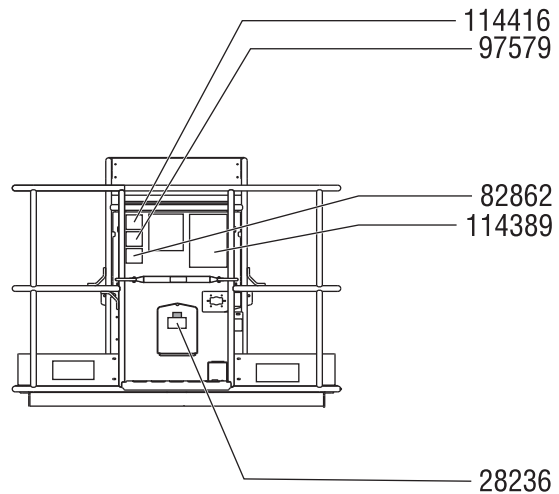
**⚠ DANGER**




**Fire Hazard**  
Serious injury or death will result if fire occurs while operating welder and fire extinguisher is not available.


Do not operate welder unless fire extinguisher is immediately available for instant use, per OSHA regulation 1926.352(d).

82862 B




28236

**⚠ WARNING**



Improper operation or maintenance can result in serious injury or death.




Read and understand Operator's Manual, Responsibilities Manual and Safety Manual and all safety signs before using or maintaining machine.  
If you do not understand the information in the manuals, consult your supervisor, the owner or the manufacturer.

28236 D


114416

**⚠ DANGER**




**Tip-over Hazard**  
If tilt alarm sounds, unit is on a severe slope. Death or serious injury will result.


114416 A




Stop all movement.



Platform uphill:  
1 Lower boom,  
2 Retract boom.




Read operator's manual before attempting to move machine.




Platform downhill:  
1 Retract boom,  
2 Lower boom.

97579

**⚠ DANGER**



**Tip-over Hazard**  
Welder power supply reduces rated platform capacity and must be factored into total platform load.



**Do not overload platform.**  
Welder power supply weighs 75 lbs / 34 kg.


97579 D



# General Safety

114390

**⚠ DANGER**



**Electrocution Hazard**  
Death or injury can result from contacting electric power lines.

Always contact the electric power line owner. The electric power shall be disconnected or the power lines moved or insulated before machine operations begin.

114390 A

Maintain required clearance.		
Line Voltage	Required Clearance	
0 to 50KV	10 ft	3.0 m
50 to 200KV	15 ft	4.6 m
200 to 350KV	20 ft	6.1 m
350 to 500KV	25 ft	7.6 m
500 to 750KV	35 ft	10.6 m
750 to 1000KV	45 ft	13.7 m


28175

**⚠ WARNING**



**Compartment access is restricted.**  
Contact with components under any cover may result in serious injury.


28175 H




Only trained maintenance personnel should access compartments. Access by operator is only advised when performing Pre-operation Inspection. All compartments must remain closed and secured during operation.

28161

**⚠ WARNING**



**Crush Hazard**  
Contact with moving parts can result in death or serious injury.




Keep away from moving parts.

28161 C

28177

**⚠ WARNING**



**Crush Hazard**  
Death or serious injury may result from platform crushing personnel against boom.



Keep away from path of moving platform.

28177 C

28181

**⚠ WARNING**



**Fall Hazard**  
Death or serious injury may result from climbing or riding on boom.




Keep off this surface.

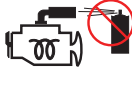
28181 C

97602

**⚠ WARNING**



**Explosion Hazard**  
Death or serious injury can result from the use of ether or other high energy starting aids.




Do not use ether or other high energy starting aids on machines equipped with glow plugs.


97602 B

31060

**⚠ DANGER**



**Tip-over Hazard**  
Altering or disabling limit switches can result in machine tip-over. Machine tip-over will result in death or serious injury.




Do not alter or disable limit switch(s).


31060 C

31788

**⚠ DANGER**



**Explosion / Burn Hazard**  
Ignition of explosive gases or contact with corrosive acid will cause death, burns or blindness.




Keep all open flames and sparks away. Wear personal protective equipment, including face shield, gloves and long sleeve shirt.

**READ MANUALS**  
Read all manuals prior to operation.

**DO NOT OPERATE** equipment if you do not understand the information in the manuals.

Consult your supervisor, the owner or the manufacturer.



31788 C

97875

**⚠ WARNING**

**Electrocution Hazard**  
Failure to properly connect and use the weld line to platform could result in death or serious injury.

**Component Damage Hazard**  
Failure to properly connect weld leads may result in machine or component damage.

Read, understand and obey all warnings and instructions provided with welding power unit. Turn welding power unit off before connecting leads.

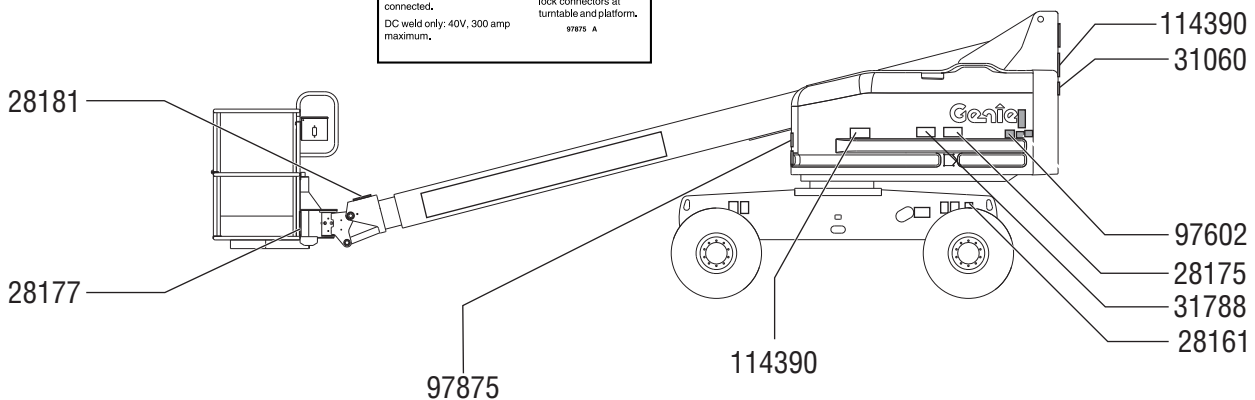
Be sure weld cables are properly connected.

DC weld only: 40V, 300 amp maximum.

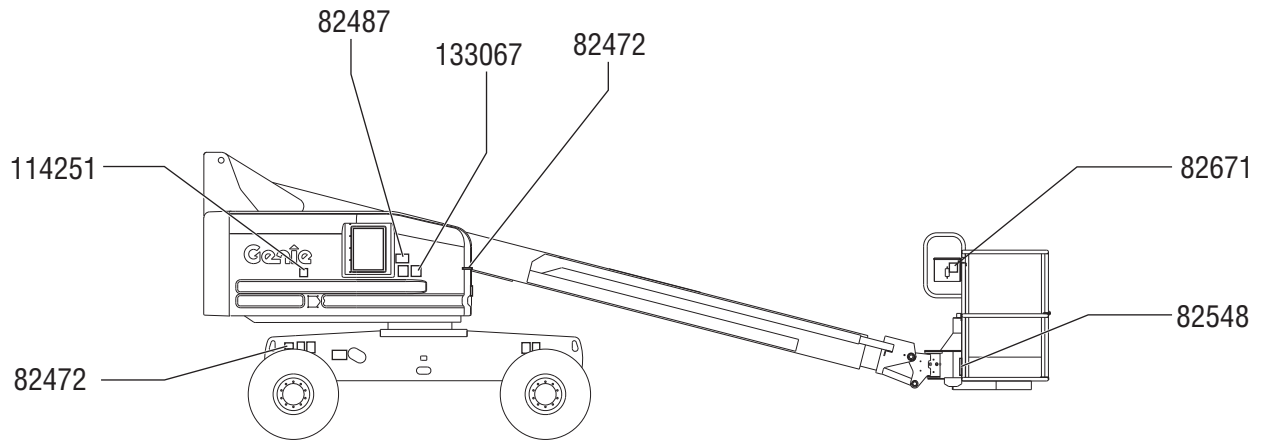
Turn welding power unit off before connecting leads.

Connect leads to twist-lock connectors at turntable and platform.

97875 A



# General Safety



114251



133067



82487



82671



82548



82472



# General Safety

82487



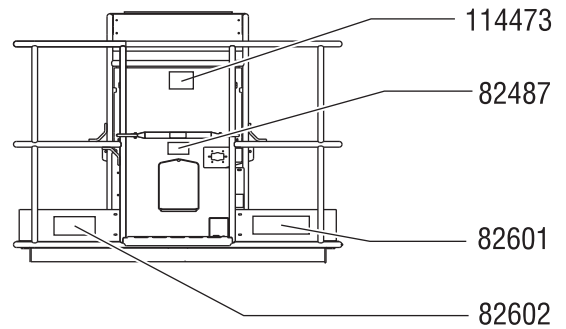
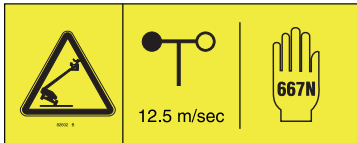
114473



82601



82602



# General Safety

114247



82548



82671



114252



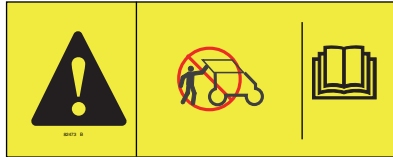
82472



82481



82473



133067



114247

82548

82671

133067

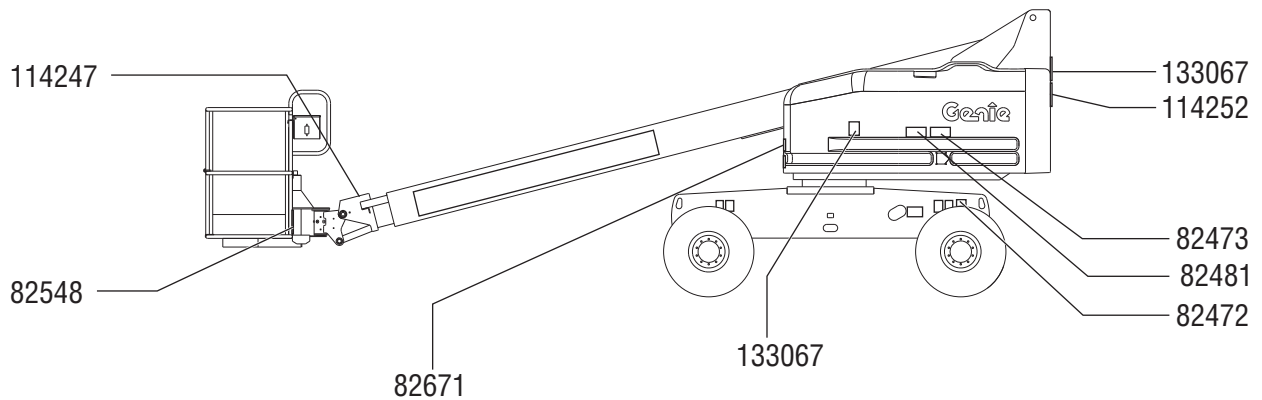
133067

114252

82473

82481

82472



---

# Personal Safety

## Personal Fall Protection

Personal fall protection equipment (PFPE) is required when operating this machine.

Occupants must wear a safety belt or harness in accordance with governmental regulations. Attach the lanyard to the anchor provided in the platform.

Operators must comply with employer, job site and governmental rules regarding the use of personal protective equipment.

All PFPE must comply with applicable governmental regulations, and must be inspected and used in accordance with the PFPE manufacturer's instructions.

# Work Area Safety

## ⚠ Electrocuting Hazards

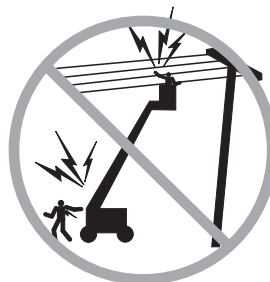
This machine is not electrically insulated and will not provide protection from contact with or proximity to electrical current.



Obey all local and governmental regulations regarding required clearance from electrical power lines. At a minimum, the required clearance contained in the chart below must be followed.

Line Voltage	Required Clearance	
0 to 50KV	10 ft	3.05 m
50 to 200KV	15 ft	4.60 m
200 to 350KV	20 ft	6.10 m
350 to 500KV	25 ft	7.62 m
500 to 750KV	35 ft	10.67 m
750 to 1000KV	45 ft	13.72 m

Allow for platform movement, electrical line sway or sag, and beware of strong or gusty winds.



Keep away from the machine if it contacts energized power lines. Personnel on the ground or in the platform must not touch or operate the machine until energized power lines are shut off.

Do not operate the machine during lightning or storms.

Do not use the machine as a ground for welding.

## ⚠ Tip-over Hazards

Occupants, equipment and materials shall not exceed the maximum platform capacity for the restricted or unrestricted range of motion.

<b>Maximum platform capacity</b>	500 lbs	227 kg
<b>Maximum occupants</b>	2	

The weight of options and accessories, such as pipe cradles, panel cradles and welders, will reduce the rated platform capacity and must be subtracted from the platform capacity. See the decals with the options and accessories.

If using accessories, read, understand and obey the decals, instructions and manuals with the accessory.

## Work Area Safety



Do not raise or extend the boom unless the machine is on a firm, level surface.

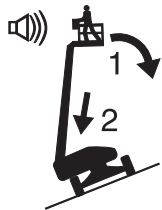


Do not raise the boom when wind speeds may exceed 28 mph / 12.5 m/s. If wind speeds exceed 28 mph / 12.5 m/s when the boom is raised, lower the boom and do not continue to operate the machine.



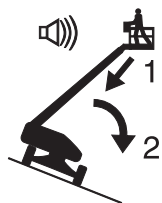
Do not depend on the tilt alarm as a level indicator. The tilt alarm sounds in the platform only when the machine is on a severe slope.

If the tilt alarm sounds when the platform is raised, use extreme caution. Identify the condition of the boom on the slope as shown below. Follow the steps to lower the boom before moving to a firm, level surface. Do not rotate the boom while lowering.



If the tilt alarm sounds with the platform uphill:

- 1 Lower the boom.
- 2 Retract the boom.



If the tilt alarm sounds with the platform downhill:

- 1 Retract the boom.
- 2 Lower the boom.

Do not operate the machine in strong or gusty winds. Do not increase the surface area of the platform or the load. Increasing the area exposed to the wind will decrease machine stability.



Use extreme care and slow speeds while driving the machine in the stowed position across uneven terrain, debris, unstable or slippery surfaces and near holes and drop-offs.

Do not drive the machine on or near uneven terrain, unstable surfaces or other hazardous conditions with the boom raised or extended.

Do not use the machine as a crane.

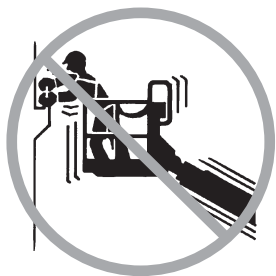
Do not push the machine or other objects with the boom.

Do not contact adjacent structures with the boom.

Do not tie the boom or platform to adjacent structures.

Do not place loads outside the platform perimeter.

## Work Area Safety



Do not push off or pull toward any object outside of the platform.

---

**Maximum allowable side force – ANSI & CSA**  
150 lbs / 667 N

---

**Maximum allowable manual force – AUS**  
90 lbs / 400N

---

Do not alter or disable machine components that in any way affect safety and stability.

Do not replace items critical to machine stability with items of different weight or specification.

Do not replace factory-installed tires with tires of different specification or ply rating.

Do not modify or alter an aerial work platform without prior written permission from the manufacturer. Mounting attachments for holding tools or other materials onto the platform, toeboards or guard rail system can increase the weight in the platform and the surface area of the platform or the load.



Do not place or attach fixed or overhanging loads to any part of this machine.



Do not place ladders or scaffolds in the platform or against any part of this machine.

Do not transport tools and materials unless they are evenly distributed and can be safely handled by person(s) in the platform.

Do not use the machine on a moving or mobile surface or vehicle.

Be sure all tires are in good condition, air-filled tires are properly inflated and lug nuts are properly tightened.

Do not use the platform controls to free a platform that is caught, snagged or otherwise prevented from normal motion by an adjacent structure. All personnel must be removed from the platform before attempting to free the platform using the ground controls.



## Work Area Safety

### ⚠️ Operation on Slopes Hazards

Do not drive the machine on a slope that exceeds the maximum uphill, downhill or side slope rating of the machine. Slope rating applies only to machines in the stowed position.

#### Maximum slope rating, stowed position, 2WD

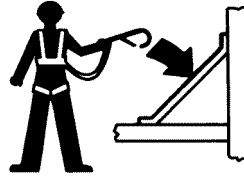
Platform downhill	30% (17°)
Platform uphill	15% (9°)
Side slope	25% (14°)

#### Maximum slope rating, stowed position, 4WD

Platform downhill	40% (22°)
Platform uphill	40% (22°)
Side slope	25% (14°)

Note: Slope rating is subject to ground conditions and adequate traction. See Driving on a Slope in the Operating Instructions section.

### ⚠️ Fall Hazards



Occupants must wear a safety belt or harness in accordance with governmental regulations. Attach the lanyard to the anchor provided in the platform.



Do not sit, stand or climb on the platform guard rails. Maintain a firm footing on the platform floor at all times.



Do not climb down from the platform when raised.

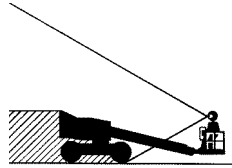
Keep the platform floor clear of debris.

Lower the platform entry mid-rail or close the entry gate before operating.

Do not enter or exit the platform unless the machine is in the stowed position and the platform is at ground level.

# Work Area Safety

## ⚠ Collision Hazards



Be aware of limited sight distance and blind spots when driving or operating.

Be aware of the boom position and tailswing when rotating the turntable.



Check the work area for overhead obstructions or other possible hazards.



Be aware of crushing hazards when grasping the platform guard rail.



Do not lower the boom unless the area below is clear of personnel and obstructions.



Limit travel speed according to the condition of the ground surface, congestion, slope, location of personnel, and any other factors which may cause collision.

Do not operate a boom in the path of any crane unless the controls of the crane have been locked out and/or precautions have been taken to prevent any potential collision.

No stunt driving or horseplay while operating a machine.

Operators must comply with employer, job site and governmental rules regarding use of personal protective equipment.

Observe and use the color-coded direction arrows on the platform controls and drive chassis for drive and steer functions.

---

## Work Area Safety

### **▲ Bodily Injury Hazard**

Always operate the machine in a well-ventilated area to avoid carbon monoxide poisoning.

Do not operate the machine with a hydraulic oil or air leak. An air leak or hydraulic leak can penetrate and/or burn skin.

Improper contact with components under any cover will cause serious injury. Only trained maintenance personnel should access compartments. Access by the operator is only advised when performing a pre-operation inspection. All compartments must remain closed and secured during operation.

### **▲ Explosion and Fire Hazards**

Do not start the engine if you smell or detect liquid petroleum gas (LPG), gasoline, diesel fuel or other explosive substances.

Do not refuel the machine with the engine running.

Refuel the machine and charge the battery only in an open, well-ventilated area away from sparks, flames and lighted tobacco.

Do not operate the machine or charge the battery in hazardous locations or locations where potentially flammable or explosive gases or particles may be present.

Do not spray ether into engines equipped with glow plugs.

## Work Area Safety

### ⚠ Damaged Machine Hazards

Do not use a damaged or malfunctioning machine.

Conduct a thorough pre-operation inspection of the machine and test all functions before each work shift. Immediately tag and remove from service a damaged or malfunctioning machine.

Be sure all maintenance has been performed as specified in this manual and the appropriate Genie service manual.

Be sure all decals are in place and legible.

Be sure the operator's, safety and responsibilities manuals are complete, legible and in the storage container located on the platform.

### ⚠ Component Damage Hazards

Do not use any battery or charger greater than 12V to jump-start the engine.

Do not use the machine as a ground for welding.

### ⚠ Battery Safety

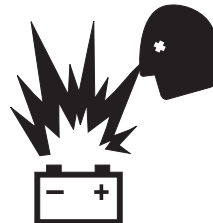
#### Burn Hazards



Batteries contain acid. Always wear protective clothing and eye wear when working with batteries.

Avoid spilling or contacting battery acid. Neutralize battery acid spills with baking soda and water.

#### Explosion Hazards



Keep sparks, flames and lighted tobacco away from batteries. Batteries emit explosive gas.



### ⚠ Electrocutation Hazard

Avoid contact with electrical terminals.

---

## Work Area Safety

### ▲ Welder Safety

Read, understand and obey all warnings and instructions provided with the welding power unit.

Do not connect weld leads or cables unless the welding power unit is turned off at the platform controls.

Do not operate unless the weld cables are properly connected and the welder is properly grounded.

The weight of the welder will reduce the rated platform capacity and must be factored into the total platform load. The welder power supply weighs 75 lbs / 34 kg.

Do not operate the welder unless a fire extinguisher is immediately available for instant use, per OSHA regulation 1926.352(d).

### ▲ Weld Line to Platform Safety

Read, understand and obey all warnings and instructions provided with the welding power unit.

Do not connect weld leads or cables unless the welding power unit is turned off at the platform controls.

Do not operate unless the weld cables are properly connected.

Connect the positive lead to the twist-lock connector at the turntable and platform.

Clamp the negative lead to the ground post at the turntable and platform.

## Work Area Safety

### ▲ Pipe Cradle Safety

Read, understand and obey all warnings and instructions provided with the pipe cradles.

Do not exceed the rated platform capacity. The pipe cradle assembly and the weight in the pipe cradles will reduce rated platform capacity and must be factored into total platform load.

The pipe cradle assembly weighs 21 lbs / 9.5 kg.

The maximum capacity of the pipe cradle assembly is 200 lbs / 91 kg.

The weight of the pipe cradle assembly and the load in the pipe cradles may limit the maximum number of occupants in platform.

Center the load within the perimeter of the platform.

Secure the load to the platform.

Do not obstruct the entrance or the exit of the platform.

Do not obstruct the ability to operate the platform controls or the red Emergency Stop button.

Do not operate unless you are adequately instructed and are aware of all of the hazards associated with movement of the platform with an overhanging load.

Do not cause a horizontal force or side load to machine by raising or lowering a fixed or overhanging load.

**Electrocution Hazard:** Keep pipes away from all energized electrical conductors.

### ▲ Panel Cradle Safety

Read, understand and obey all warnings and instructions provided with the panel cradles.

Do not exceed the rated platform capacity. The combined weight of the cradles, panels, occupants, tools and any other equipment must not exceed rated capacity.

The panel cradle assembly weighs 30 lbs / 13.6 kg.

The maximum capacity of the panel cradles is 250 lbs / 113 kg.

The weight of the panel cradles and the load in the panel cradles may limit the maximum number of occupants in platform to one person.

Secure the cradles to the platform. Secure the panel(s) to the platform railing using the straps provided.

Do not operate unless you are adequately instructed and are aware of all hazards associated with lifting panels.

Do not cause a horizontal force or side load to machine by raising or lowering a fixed or overhanging load.

Maximum vertical height of panels: 4 ft / 1.2 m

Maximum wind speed: 15 mph / 6.7 m/sec

Maximum panel area: 32 sq ft / 3 m<sup>2</sup>

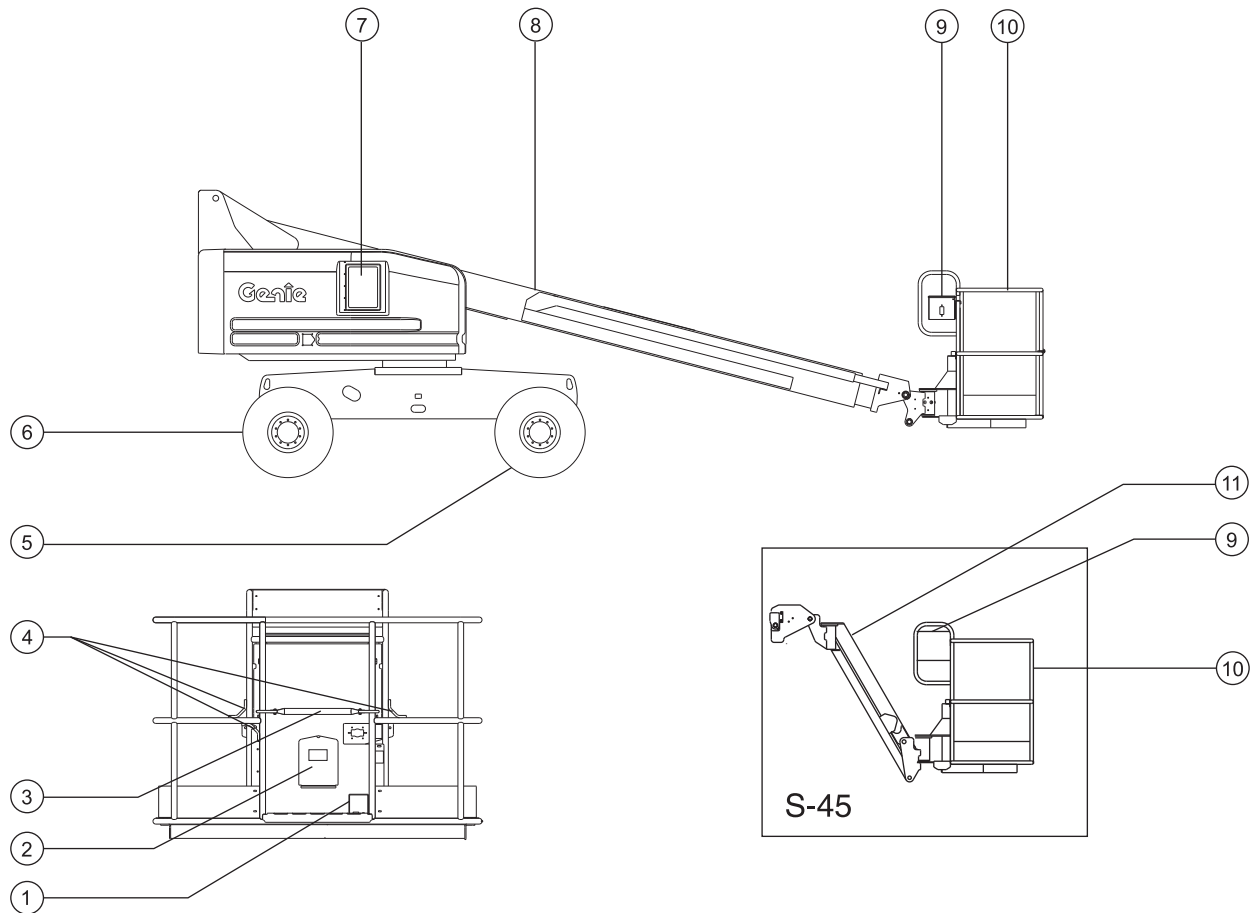
---

## Work Area Safety

### Lockout After Each Use

- 1 Select a safe parking location—firm level surface, clear of obstruction and traffic.
- 2 Retract and lower the boom to the stowed position.
- 3 Rotate the turntable so that the boom is between the non-steer wheels.
- 4 Turn the key switch to the off position and remove the key to secure from unauthorized use.
- 5 Chock the wheels.

# Legend

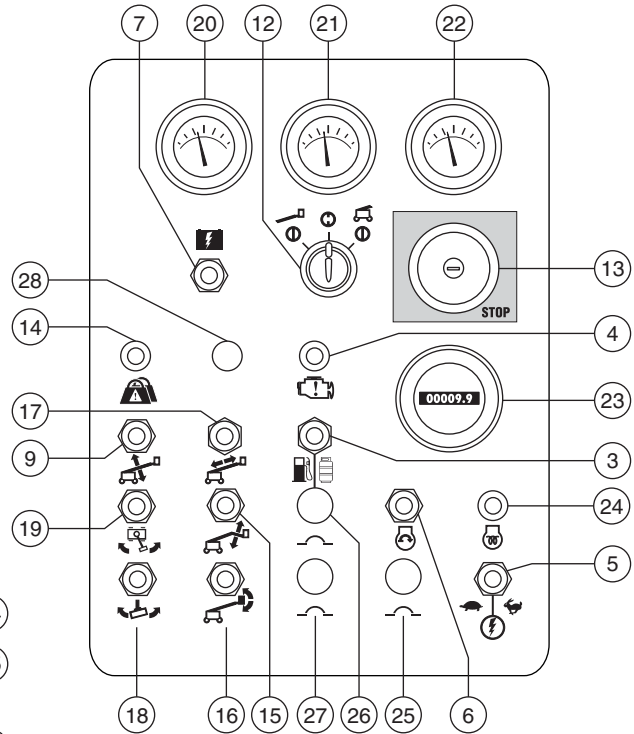
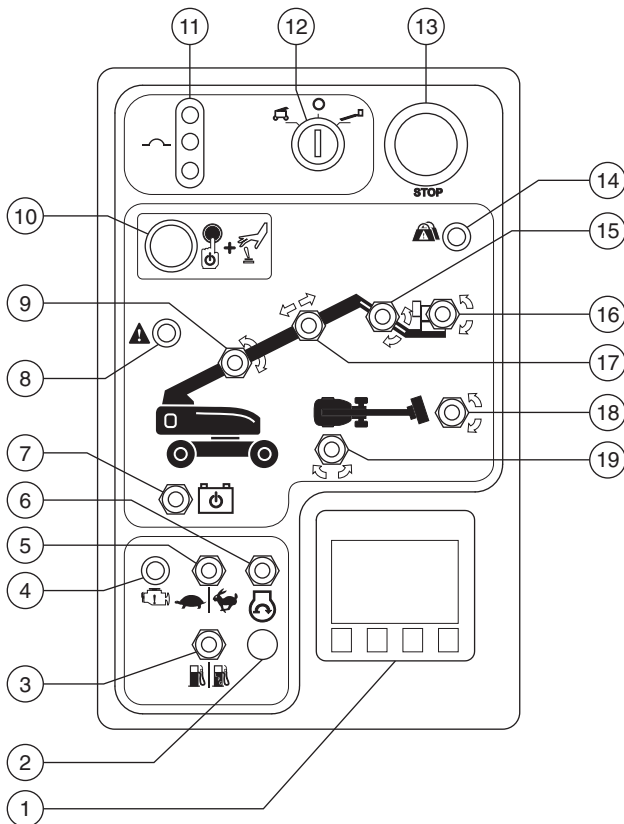


- |   |                          |    |                   |
|---|--------------------------|----|-------------------|
| 1 | Foot switch              | 7  | Ground controls   |
| 2 | Manual storage container | 8  | Boom              |
| 3 | Sliding mid-rail         | 9  | Platform controls |
| 4 | Lanyard anchorage point  | 10 | Platform          |
| 5 | Non-steer tire           | 11 | Jib boom (S-45)   |
| 6 | Steer tire               |    |                   |



# Controls

The S-40 and S-45 machines will have one of these two styles of ground control panel. The descriptions in this section and the instructions in the Function Test and Operating Instructions apply to both panels, unless specifically noted.



## Controls

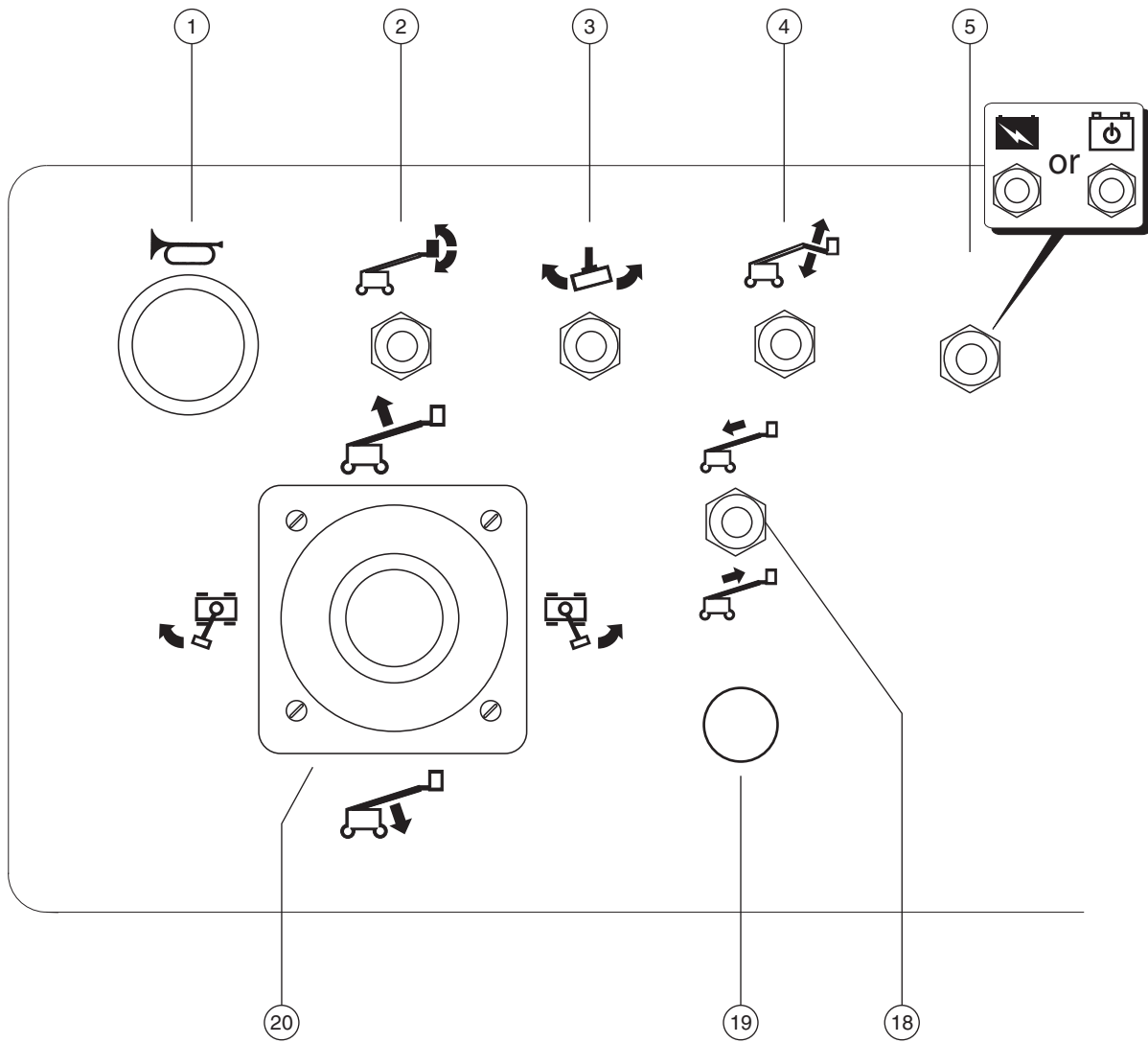
### Ground Control Panel

- 1 LCD readout screen  
Screen displays hour meter, voltage, oil pressure and coolant temperature. Screen also displays fault codes and other service information.
- 2 Not used
- 3 Gasoline/LPG models: Fuel select switch  
Move the fuel select switch to the gasoline position to select gasoline. Move the fuel select switch to the LPG position to select LPG.
- 4 Check engine light  
Light on and engine stopped: Tag the machine and remove from service.  
Light on and engine still running: Contact service personnel within 24 hours.
- 5 Function enable switch  
Move the function enable switch to either side to enable the functions on the ground control panel to operate.
- 6 Engine start switch  
Move the engine start switch to either side to start the engine.
- 7 Emergency power switch  
Use emergency power if the primary power source (engine) fails.  
Simultaneously hold the emergency power switch to either side and activate the desired function.
- 8 Machine malfunction indicator light  
Light on indicates all functions have stopped. See the instructions in the Operating Instructions section.
- 9 Boom up/down switch  
Move the boom up/down switch up and the boom will raise. Move the boom up/down switch down and the boom will lower.
- 10 Function enable button  
Press and hold the function enable button to enable the functions on the ground control panel to operate.
- 11 Circuit breakers
- 12 Key switch for off/ground/platform selection  
Turn the key switch to the off position and the machine will be off. Turn the key switch to the ground position and the ground controls will operate. Turn the key switch to the platform position and the platform controls will operate.

## Controls

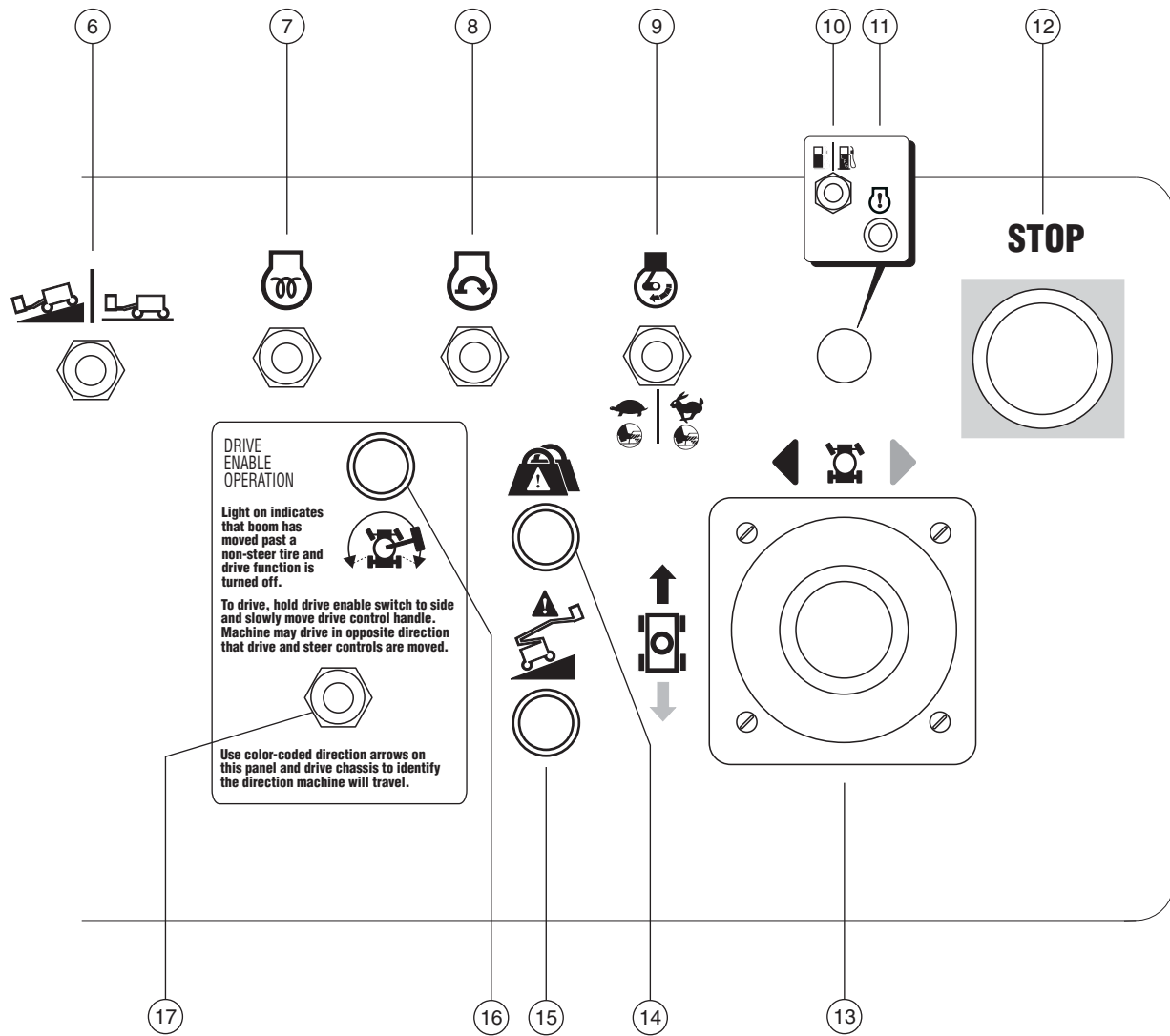
- 13 Red Emergency Stop button  
Push in the red Emergency Stop button to the off position to stop all functions and turn the engine off. Pull out the red Emergency Stop button to the on position to operate the machine.
- 14 Not used
- 15 Jib boom up/down switch  
Move the jib boom switch up and the jib boom will raise. Move the jib boom switch down and the jib boom will lower.
- 16 Platform level switch  
Move the platform level switch up and the level of the platform will raise. Move the platform level switch down and the level of the platform will lower.
- 17 Boom extend/retract switch  
Move the boom extend/retract switch to the right and the boom will extend. Move the boom extend/retract switch to the left and the boom will retract.
- 18 Platform rotate switch  
Move the platform rotate switch to the right and the platform will rotate to the right. Move the platform rotate switch to the left and the platform will rotate to the left.
- 19 Turntable rotate switch  
Move the turntable rotate switch to the right and the turntable will rotate to the right. Move the turntable rotate switch to the left and the turntable will rotate to the left.
- 20 Gasoline/LPG models: Coolant temperature gauge  
Models equipped with Deutz diesel engine: Oil temperature gauge.  
Models equipped with Perkins diesel engine: Coolant temperature gauge.
- 21 Oil pressure gauge
- 22 Voltage gauge
- 23 Hour meter  
The hour meter displays the number of hours the machine has operated.
- 24 Deutz Diesel Models: Glow plug switch (if equipped)  
Move the glow plug switch to either side and hold for 3 to 5 seconds.  
Perkins Models: Glow plug indicator light.
- 25 15A breaker for engine electrical circuits
- 26 20A breaker for oil cooler and options
- 27 15A breaker for control electrical circuits
- 28 Not used

# Controls



## Platform Control Panel

# Controls



# Controls

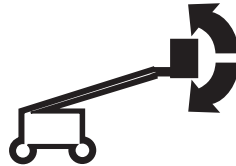
## Platform Control Panel

### 1 Horn button

Press this button and the horn will sound. Release the button and the horn will stop.

### 2 Platform level switch

Move the platform level switch up and the level of the platform will raise. Move the platform level switch down and the level of the platform will lower.



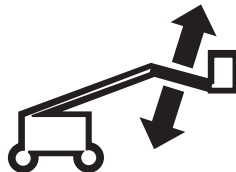
### 3 Platform rotate switch

Move the platform rotate switch to the right and the platform will rotate to the right. Move the platform rotate switch to the left and the platform will rotate to the left.



### 4 Jib boom up/down switch

Move the jib boom switch up and the jib boom will raise. Move the jib boom switch down and the jib boom will lower.



### 5 Emergency power switch

Use emergency power if the primary power source (engine) fails. Simultaneously hold the emergency power switch to either side and activate the desired function.

### 6 Drive speed select switch

Machine on incline symbol: Low range operation for inclines.  
Machine on level surface symbol: High range operation for maximum drive speed.

### 7 Deutz Diesel Models: Glow plug switch (if equipped)

Move the glow plug switch to either side and hold for 3 to 5 seconds.

Perkins Models: Glow plug indicator light.

### 8 Engine start switch

Move the engine start switch to either side to start the engine.

### 9 Engine idle (rpm) select switch

Move the engine idle select switch to the turtle position for foot switch activated low idle. Move the engine idle select switch to the rabbit position for foot switch activated high idle.

### 10 Gasoline/LPG models: Fuel select switch

Move the fuel select switch to the gasoline position to select gasoline. Move the fuel select switch to the LPG position to select LPG.

### 11 Models with LCD screen: Engine shut-down indicator light

Light on indicates that the engine has shut down. Contact service personnel.

## Controls

### 12 Red Emergency Stop button

Push in the red Emergency Stop button to the off position to stop all functions and turn the engine off. Pull out the red Emergency Stop button to the on position to operate the machine.

### 13 Dual axis proportional control handle for drive and steer functions

OR Proportional control handle for drive function and thumb rocker for steer function.

Move the control handle in the direction indicated by the blue arrow on the control panel and the machine will drive forward. Move the control handle in the direction indicated by the yellow arrow and the machine will drive backwards. Move the control handle in the direction indicated by the blue triangle and the machine will steer to the left. Move the control handle in the direction indicated by the yellow triangle and the machine will steer to the right.

OR

Move the control handle in the direction indicated by the blue arrow on the control panel and the machine will drive forward. Move the control handle in the direction indicated by the yellow arrow and the machine will drive backwards. Press the left side of the thumb rocker and the machine will steer to the left. Press the right side of the thumb rocker and the machine will steer to the right.

### 14 Not used

### 15 Machine not level indicator light (if equipped)

The machine not level indicator light will come on when the tilt alarm sounds.

### 16 Drive enable indicator light

Light on indicates that the boom has moved just past either non-steer wheel and drive function has been interrupted.

### 17 Drive enable switch

To drive when the drive enable light is on, hold the drive enable switch to either side and slowly move the drive control handle off center. Be aware that the machine may move in the opposite direction that the drive and steer controls are moved.

### 18 Boom extend/retract switch

Move the boom extend/retract switch to the right and the boom will extend. Move the boom extend/retract switch to the left and the boom will retract.



### 19 Used for optional equipment

### 20 Dual axis proportional control handle for boom up/down and turntable rotate left/right functions

Move the control handle up and the boom will raise. Move the control handle down and the boom will lower.



Move the control handle to the right and the turntable will rotate to the right. Move the control handle to the left and the turntable will rotate to the left.



# Inspections



---

## Do Not Operate Unless:

- You learn and practice the principles of safe machine operation contained in this operator's manual.
  - 1 Avoid hazardous situations.
  - 2 Always perform a pre-operation inspection.**
- Know and understand the pre-operation inspection before going on to the next section.**
- 3 Always perform function tests prior to use.
- 4 Inspect the workplace.
- 5 Only use the machine as it was intended.

## Pre-operation Inspection Fundamentals

It is the responsibility of the operator to perform a pre-operation inspection and routine maintenance.

The pre-operation inspection is a visual inspection performed by the operator prior to each work shift. The inspection is designed to discover if anything is apparently wrong with a machine before the operator performs the function tests.

The pre-operation inspection also serves to determine if routine maintenance procedures are required. Only routine maintenance items specified in this manual may be performed by the operator.

Refer to the list on the next page and check each of the items.

If damage or any unauthorized variation from factory delivered condition is discovered, the machine must be tagged and removed from service.

Repairs to the machine may only be made by a qualified service technician, according to the manufacturer's specifications. After repairs are completed, the operator must perform a pre-operation inspection again before going on to the function tests.

Scheduled maintenance inspections shall be performed by qualified service technicians, according to the manufacturer's specifications and the requirements listed in the responsibilities manual.



# Inspections

## Pre-operation Inspection

- Be sure that the operator's, safety and responsibilities manuals are complete, legible and in the storage container located in the platform.
- Be sure that all decals are legible and in place. See Inspections section.
- Check for hydraulic oil leaks and proper oil level. Add oil if needed. See Maintenance section.
- Check for battery fluid leaks and proper fluid level. Add distilled water if needed. See Maintenance section.
- Check for engine oil leaks and proper oil level. Add oil if needed. See Maintenance section.
- Check for engine coolant leaks and proper level of coolant. Add coolant if needed. See Maintenance section.
- Check for proper tire pressure. Add air if needed. See Maintenance section.

Check the following components or areas for damage, improperly installed or missing parts and unauthorized modifications:

- Electrical components, wiring and electrical cables
- Hydraulic hoses, fittings, cylinders and manifolds
- Fuel and hydraulic tanks
- Drive and turntable motors and drive hubs

- Wear pads
- Tires and wheels
- Engine and related components
- Limit switches and horn
- Alarms and beacons (if equipped)
- Nuts, bolts and other fasteners
- Platform entry mid-rail or gate

Check entire machine for:

- Cracks in welds or structural components
- Dents or damage to machine
- Excessive rust, corrosion or oxidation
- Be sure that all structural and other critical components are present and all associated fasteners and pins are in place and properly tightened.
- After you complete your inspection, be sure that all compartment covers are in place and latched.

# Inspections



---

## Do Not Operate Unless:

- You learn and practice the principles of safe machine operation contained in this operator's manual.
  - 1 Avoid hazardous situations.
  - 2 Always perform a pre-operation inspection.
  - 3 Always perform function tests prior to use.**

**Know and understand the function tests before going on to the next section.**

- 4 Inspect the workplace.
- 5 Only use the machine as it was intended.

## Function Test Fundamentals

The function tests are designed to discover any malfunctions before the machine is put into service. The operator must follow the step-by-step instructions to test all machine functions.

A malfunctioning machine must never be used. If malfunctions are discovered, the machine must be tagged and removed from service. Repairs to the machine may only be made by a qualified service technician, according to the manufacturer's specifications.

After repairs are completed, the operator must perform a pre-operation inspection and function tests again before putting the machine into service.

# Inspections

## At the Ground Controls

- 1 Select a test area that is firm, level and free of obstruction.
- 2 Turn the key switch to ground control.
- 3 Pull out the red Emergency Stop button to the on position.
- ⊙ Result: The beacons (if equipped) should flash.
- 4 Start the engine. See Operating Instructions section.

## Test Emergency Stop

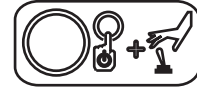
- 5 Push in the red Emergency Stop button to the off position.
- ⊙ Result: The engine should shut off and no functions should operate.
- 6 Pull out the red Emergency Stop button to the on position and restart the engine.

## Test the Hydraulic Return Filter

- 7 Move the engine idle select switch to high idle (rabbit symbol).
- 8 Locate and check the hydraulic filter condition indicator.
- ⊙ Result: The filter should be operating with the plunger or the needle in the green area.
- 9 Move the engine idle select switch to foot switch activated high idle (rabbit and foot switch symbol).

## Test Machine Functions

- 10 Do not push the function enable button. Attempt to activate each boom and platform function toggle switch.



OR

Do not hold the function enable switch to either side. Attempt to activate each boom and platform function toggle switch.

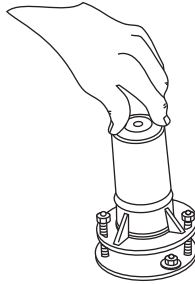


- ⊙ Result: No boom and platform functions should operate.
- 11 Push and hold the function enable button and activate each boom and platform function toggle switch. or  
Push and hold the function enable switch to either side and activate each boom and platform function toggle switch.
- ⊙ Result: All boom and platform functions should operate through a full cycle. The descent alarm (if equipped) should sound while the boom is lowering.

# Inspections

## Test the Tilt Sensor

- 12 Pull out the platform red Emergency Stop button to the on position. Turn the key switch to platform control.
- 13 Open the tank side turntable cover and locate the tilt sensor next to the control box.
- 14 Press down one side of the tilt sensor.



- ⊙ Result: The alarm, located in the platform, should sound.

## Test Emergency Controls

- 15 Turn the key switch to ground control and shut the engine off.
- 16 Pull out the red Emergency Stop button to the on position.
- 17 Simultaneously hold the emergency power switch on and activate each boom function toggle switch.



OR



Note: To conserve battery power, test each function through a partial cycle.

- ⊙ Result: All boom functions should operate.

## At the Platform Controls

### Test Emergency Stop

- 1 Enter the platform and pull out the red Emergency Stop button. Start the engine.
- 2 Push in the platform red Emergency Stop button to the off position.
  - ⊙ Result: The engine should shut off and no functions should operate.
- 3 Pull out the red Emergency Stop button and restart the engine.

### Test the Horn

- 4 Press the horn button.
- ⊙ Result: The horn should sound.

# Inspections

## Test the Foot Switch

- 5 Push in the platform red Emergency Stop button to the off position.
  - 6 Pull out the red Emergency Stop button to the on position and do not start the engine.
  - 7 Press down the foot switch and attempt to start the engine by moving the start toggle switch to either side.
- ⊙ Result: The engine should not start.
- 8 Do not press down the foot switch and restart the engine.
- ⊙ Result: The engine should start.
- 9 Do not press down the foot switch and test each machine function.
- ⊙ Result: No functions should operate.

## Test Machine Functions

- 10 Press down the foot switch.
  - 11 Activate each machine function control handle, toggle switch or button.
- ⊙ Result: All functions should operate through a full cycle.

## Test the Steering

- 12 Press down the foot switch.
  - 13 Press the thumb rocker switch on top of the drive control handle in the direction indicated by the blue triangle on the control panel OR slowly move the control handle in the direction indicated by the blue triangle.
- ⊙ Result: The steer wheels should turn in the direction that the blue triangles point on the drive chassis.
- 14 Press the thumb rocker switch in the direction indicated by the yellow triangle on the control panel OR slowly move the control handle in the direction indicated by the yellow triangle.
- ⊙ Result: The steer wheels should turn in the direction that the yellow triangles point on the drive chassis.

# Inspections

## Test Drive and Braking

- 15 Press down the foot switch.
- 16 Slowly move the drive control handle in the direction indicated by the blue arrow on the control panel until the machine begins to move, then return the handle to the center position.
  - ⊙ Result: The machine should move in the direction that the blue arrow points on the drive chassis, then come to an abrupt stop.
- 17 Slowly move the control handle in the direction indicated by the yellow arrow on the control panel until the machine begins to move, then return the handle to the center position.
  - ⊙ Result: The machine should move in the direction that the yellow arrow points on the drive chassis, then come to an abrupt stop.

Note: The brakes must be able to hold the machine on any slope it is able to climb.

## Test the Oscillating Axle (if equipped)

- 18 Start the engine from the platform controls.
- 19 Drive the right steer tire up onto a 6 in / 15 cm block or curb.
  - ⊙ Result: The three remaining tires should stay in firm contact with the ground.
- 20 Drive the left steer tire up onto a 6 in / 15 cm block or curb.
  - ⊙ Result: The three remaining tires should stay in firm contact with the ground.
- 21 Drive both steer tires up onto a 6 in / 15 cm block or curb.
  - ⊙ Result: The non-steer tires should stay in firm contact with the ground.

# Inspections

## Test the Drive Enable System

- 22 Press down the foot switch and lower the boom to the stowed position.
- 23 Rotate the turntable until the boom moves past one of the non-steer tracks.

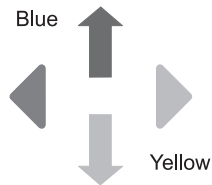
- ⊙ Result: The drive enable indicator light should come on and remain on while the boom is anywhere in the range shown.



- 24 Move the drive control handle off center.
- ⊙ Result: The drive function should not operate.
- 25 Move and hold the drive enable toggle switch to either side and slowly move the drive control handle off center.
- ⊙ Result: The drive function should operate.

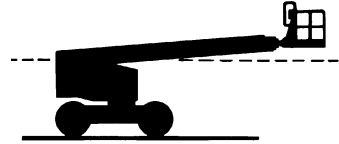
Note: When the drive enable system is in use, the machine may drive in the opposite direction that the drive and steer control handle is moved.

Use the color-coded direction arrows on the platform controls and the drive chassis to identify the direction of travel.



## Test Limited Drive Speed

- 26 Press down the foot switch.
- 27 Raise the boom to just above horizontal.



- 28 Slowly move the control handle to full drive position.
- ⊙ Result: The maximum achievable drive speed with the boom raised should not exceed 1 ft / 30 cm per second.
- 29 Lower the boom to the stowed position.
- 30 Extend the boom 1 foot / 30 cm.
- 31 Slowly move the control handle to full drive position.
- ⊙ Result: The maximum achievable drive speed with the boom extended should not exceed 1 ft / 30 cm per second.

If the drive speed with the boom raised or extended exceeds 1 ft / 30 cm per second, immediately tag and remove the machine from service.

---

# Inspections

## Test Emergency Controls

- 32 Shut off the engine.
- 33 Pull out the red Emergency Stop button to the on position.
- 34 Press down the foot switch.
- 35 Simultaneously hold the emergency power switch on and activate each function control handle or toggle switch.

Note: To conserve battery power, test each function through a partial cycle.

- ⊙ Result: All boom and steer functions should operate. Drive functions should not operate with emergency power.

## Test the Lift/Drive Select Function (if equipped)

- 36 Press down the foot switch.
- 37 Move the drive control handle off center and activate a boom function toggle switch.
- ⊙ Result: No boom functions should operate. The machine will move in the direction indicated on the control panel.

Repair any malfunctions before operating the machine.



# Inspections



## Do Not Operate Unless:

- You learn and practice the principles of safe machine operation contained in this operator's manual.
  - 1 Avoid hazardous situations.
  - 2 Always perform a pre-operation inspection.
  - 3 Always perform function tests prior to use.
  - 4 Inspect the workplace.**

**Know and understand the workplace inspection before going on to the next section.**
  - 5 Only use the machine as it was intended.

## Workplace Inspection Fundamentals

The workplace inspection helps the operator determine if the workplace is suitable for safe machine operation. It should be performed by the operator prior to moving the machine to the workplace.

It is the operator's responsibility to read and remember the workplace hazards, then watch for and avoid them while moving, setting up and operating the machine.

## Workplace Inspection Checklist

Be aware of and avoid the following hazardous situations:

- drop-offs or holes
- bumps, floor obstructions or debris
- sloped surfaces
- unstable or slippery surfaces
- overhead obstructions and high voltage conductors
- hazardous locations
- inadequate surface support to withstand all load forces imposed by the machine
- wind and weather conditions
- the presence of unauthorized personnel
- other possible unsafe conditions

# Inspections

## Inspection for Decals with Words

Use the pictures on the next page to verify that all decals are legible and in place.

Below is a numerical list with quantities and descriptions.

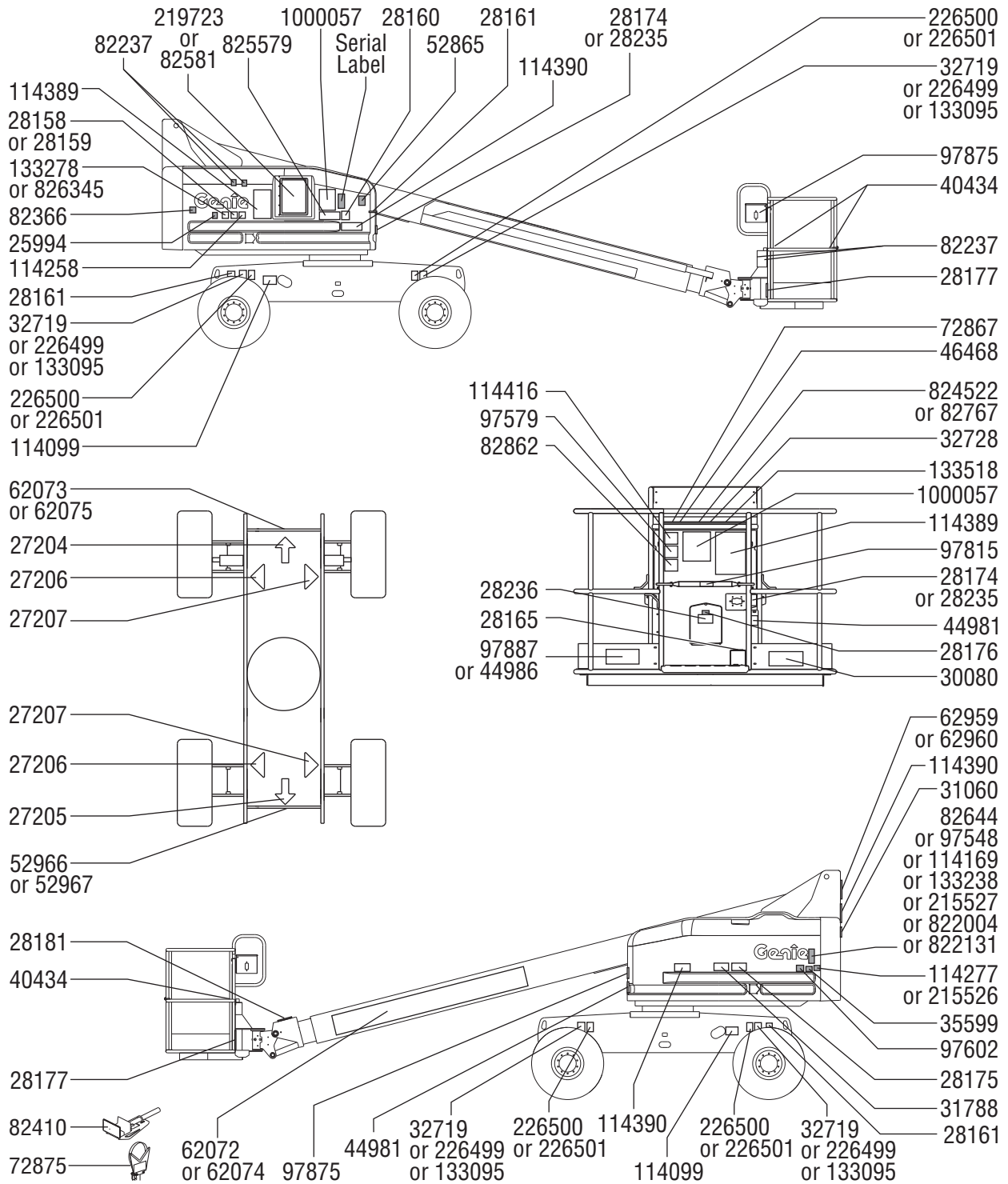
Continued on next page.

Part No.	Decal Description	Qty
25994	Notice – Component Damage Hazard	1
27204	Arrow – Blue	1
27205	Arrow – Yellow	1
27206	Triangle – Blue	2
27207	Triangle – Yellow	2
28158	Label – Unleaded	1
28159	Label – Diesel	1
28160	Label – Liquid Petroleum Gas (option)	1
28161	Warning – Crushing Hazard	3
28165	Instructions – Foot Switch	1
28174	Label – Power to Platform, 230V	2
28175	Warning – Compartment Access	1
28176	Label – Missing Manuals	1
28177	Warning – Collision Hazard	2
28181	Warning – No Step or Ride	1
28235	Label – Power to Platform, 115V	2
28236	Warning – Improper Operation	1
30080	Instructions – Max Load, 500 lbs / 227 kg	1
31060	Danger – Tip-over Hazard, Limit Switch	1
31788	Danger – Explosion/Burn Hazard	1
32719	Label – Tire Specification	4
32728	Label – Generator (option)	1
35599	Instructions – Air Inlet, Deutz Models	1
40434	Label – Lanyard Anchorage Point	8
44981	Label – Air Line to Platform (option)	2
44986	Instructions – Max Manual Force, 90 lbs / 400 N, Australia	1
46468	Function Override (option)	1

Part No.	Decal Description	Qty
52865	Warning – Annual Inspection Record	1
52966	Cosmetic – 4 x 2	1
52967	Cosmetic – 4 x 4	1
62072	Cosmetic – Genie S-40	1
62073	Cosmetic – S-40	1
62074	Cosmetic – Genie S-45	1
62075	Cosmetic – S-45	1
62959	Cosmetic – S-40	1
62960	Cosmetic – S-45	1
72867	Label – Work Lights (option)	1
72875	Warning – Pipe Cradle (option)	2
82237	Danger – Electrocutation Hazard (option)	4
82366	Label – Chevron Rando	1
82410	Warning – Panel Cradle (option)	2
82581	Ground Control Panel	1
82644	Instructions – Perkins Engine Specifications (404C-22)	1
82767	Platform Control Panel	1
82862	Danger – Fire Extinguisher, Welder (option)	1
97548	Instructions – Deutz Engine Specifications (F3L 2011 & D2011 L03i)	1
97579	Danger – Tip-over Welder (option)	1
97602	Warning – Explosion Hazard	1
97815	Label – Lower Mid-rail	1
97875	Warning – Weld Line to Platform (option)	2
97887	Instructions – Max Side Force, 150 lbs / 667 N, ANSI	1
114099	Label – Transport Diagram	2
114169	Instructions – Ford Engine Specifications (DSG-423)	1
114258	Danger – Explosion Hazard	1
114277	Label – Belt Routing (DSG-423)	1
114389	Danger – Safety Rules	2

■ Shading indicates decal is hidden from view, i.e. under covers

# Inspections



## Inspections

### Inspection for Decals with Words


Use the pictures on the next page to verify that all decals are legible and in place.

Below is a numerical list with quantities and descriptions.

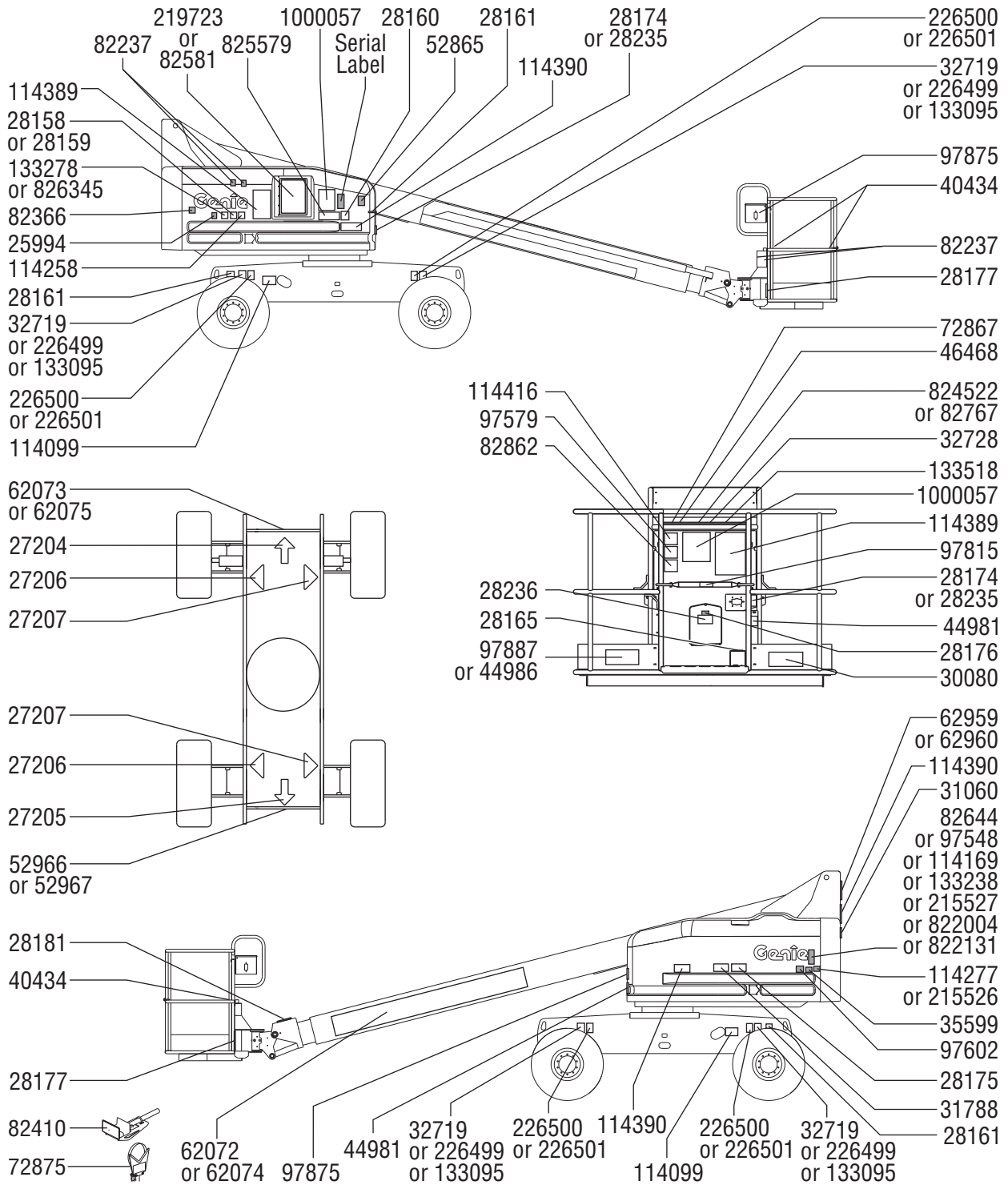
Continued from previous page.

Part No.	Decal Description	Qty
114390	Danger – Electrocution Hazard	3
114416	Danger – Tip-over Hazard, Tilt Alarm	1
133095	Label – Tire Specification, High Flotation	4
133238	Instructions – Perkins Engine Specifications (404D-22)	1
133278	Label – Low Sulfur Fuel (diesel models)	1
133518	Label – Generator (option)	1
215526	Label – Belt Routing (MSG 425)	1

Part No.	Decal Description	Qty
215527	Instructions – Ford Engine Specifications (MSG-425)	1
219723	Ground Control Panel	1
226499	Label – Tire Specifications	4
226500	Label – Wheel Load, S-40	4
226501	Label – Wheel Load, S-45	4
822004	Instructions – Perkins Engine Specifications, (404F-22)	1
822131	Instructions - Deutz Engine Specifications (D2.9 L4)	1
824522	Platform Control Panel	1
825579	Instructions – LCD Screen	1
826345	Label – Ultra Low Sulfur Fuel Only (diesel models)	1
1000057	Instructions – Operating Instructions	2

 Shading indicates decal is hidden from view, i.e. under covers

# Inspections



## Inspections


### Inspection for Decals with Symbols

Use the pictures on the next page to verify that all decals are legible and in place.

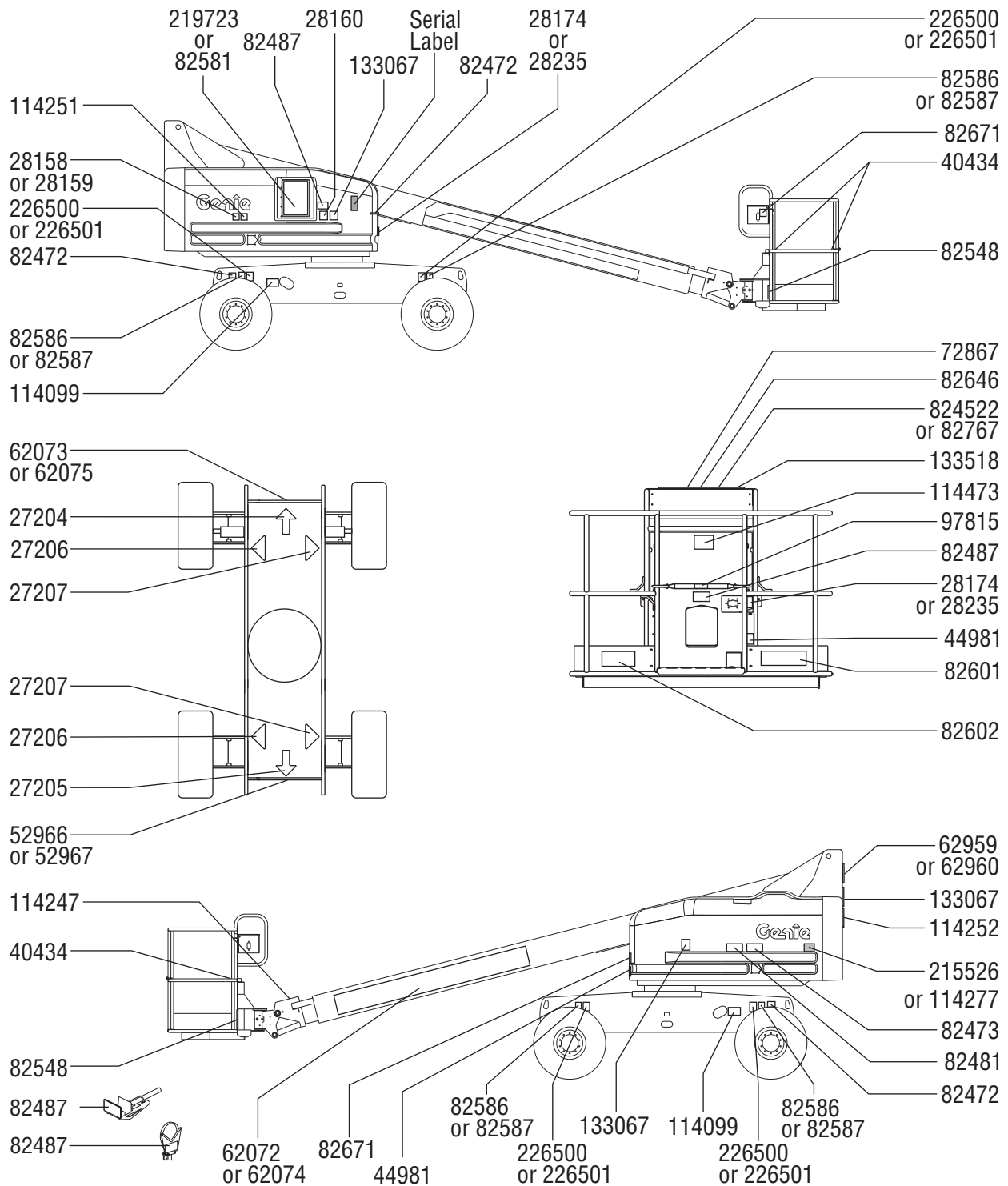
Below is a numerical list with quantities and descriptions.

Part No.	Decal Description	Qty
27204	Arrow – Blue	1
27205	Arrow – Yellow	1
27206	Triangle – Blue	2
27207	Triangle – Yellow	2
28158	Label – Unleaded	1
28159	Label – Diesel	1
28160	Label – Liquid Petroleum Gas (option)	1
28174	Label – Power to Platform, 230V	2
28235	Label – Power to Platform, 115V	2
32728	Label – Generator (option)	1
40434	Label – Lanyard Anchorage Point	8
44981	Label – Air Line to Platform (option)	2
52966	Cosmetic – 4 x 2	1
52967	Cosmetic – 4 x 4	1
62072	Cosmetic – Genie S-40	1
62073	Cosmetic – S-40	1
62074	Cosmetic – Genie S-45	1
62075	Cosmetic – S-45	1
62959	Cosmetic – S-40	1
62960	Cosmetic – S-45	1
72867	Label – Work Lights (option)	1
82472	Label – Crushing Hazard	3
82473	Label – Compartment Access	1

Part No.	Decal Description	Qty
82481	Label – Battery/Charger Safety	1
82487	Label – Read the Manual	2
82487	Label – Read the Manual (pipe cradle)	2
82487	Label – Read the Manual (panel cradle)	2
82548	Label – Platform Rotate	2
82581	Ground Control Panel	1
82586	Label – Tire Specifications	4
82587	Label – Tire Specification, High Flotation	4
82601	Label – Maximum Load, 227 kg	1
82602	Label – Max Manual Force, 667 N, ANSI	1
82646	Label – Drive Enable Patch	1
82671	Label – Weld Line to Platform (option)	2
82767	Platform Control Panel	1
97815	Label – Lower Mid-rail	1
114099	Label – Transport Diagram	2
114247	Label – Fall Hazard	1
114251	Label – Explosion Hazard	1
114252	Label – Tip-over Hazard, Limit Switches	1
114277	Label – Belt Routing (DSG-423)	1
114473	Label – Tilt Alarm	1
133067	Label – Electrocutation Hazard	3
133518	Label – Generator (option)	1
215526	Label – Belt Routing (MSG 425)	1
219723	Ground Control Panel	1
226500	Label – Wheel Load, S-40	4
226501	Label – Wheel Load, S-45	4
824522	Platform Control Panel	1

 Shading indicates decal is hidden from view, i.e. under covers

# Inspections



---

# Operating Instructions



---

## Do Not Operate Unless:

- You learn and practice the principles of safe machine operation contained in this operator's manual.
  - 1 Avoid hazardous situations.
  - 2 Always perform a pre-operation inspection.
  - 3 Always perform function tests prior to use.
  - 4 Inspect the workplace.
  - 5 **Only use the machine as it was intended.**

## Fundamentals

The Operating Instructions section provides instructions for each aspect of machine operation. It is the operator's responsibility to follow all the safety rules and instructions in the operator's, safety and responsibilities manuals.

Using the machine for anything other than lifting personnel, along with their tools and materials, to an aerial work site is unsafe and dangerous.

Only trained and authorized personnel should be permitted to operate a machine. If more than one operator is expected to use a machine at different times in the same work shift, they must all be qualified operators and are all expected to follow all safety rules and instructions in the operator's, safety and responsibilities manuals. That means every new operator should perform a pre-operation inspection, function tests, and a workplace inspection before using the machine.



# Operating Instructions

## Starting the Engine

### Gasoline/LPG models

- 1 At the ground controls, turn the key switch to the desired position.
- 2 Be sure both ground and platform control red Emergency Stop buttons are pulled out to the on position.
- 3 Choose fuel by moving the fuel select switch to the desired position.
- 4 Move the engine start toggle switch to either side. If the engine fails to start or dies, the restart delay will disable the start switch for 3 seconds.

### Diesel models

- 1 At the ground controls, turn the key switch to the desired position.
- 2 Be sure both ground and platform control red Emergency Stop buttons are pulled out to the on position.

### Models with glow plug toggle switch:

- 3 Move the glow plug switch to either side and hold for 3 to 5 seconds.
- 4 Move the engine start toggle switch to either side. If the engine fails to start or dies, the restart delay will disable the start switch for 3 seconds.

### Models with automatic glow plugs:

- 5 The LCD screen will display the glow plug symbol when the automatic glow plugs are on.
- 6 When the automatic glow plug symbol turns off, move the engine start toggle switch to either side. If the engine fails to start or dies, the restart delay will disable the start switch for 3 seconds.



# Operating Instructions

## Emergency Stop

Push in the red Emergency Stop button to the off position at the ground controls or the platform controls to stop all machine functions and turn the engine off.

Repair any function that operates when either red Emergency Stop button is pushed in.

Selecting and operating the ground controls will override the platform red Emergency Stop button.

## Emergency Controls

Use emergency power if the primary power source (engine) fails.

- 1 Turn the key switch to ground or platform control.
- 2 Pull out the red Emergency Stop button to the on position.
- 3 Press down the foot switch when using the controls from the platform.
- 4 Simultaneously hold the emergency power switch on and activate the desired function.



OR



The drive function will not operate with emergency power.

## Operation from Ground

- 1 Turn the key switch to ground control.
- 2 Pull out the red Emergency Stop button to the on position.
- 3 Gasoline/LPG models: Choose fuel by moving the fuel select switch to the desired position.
- 4 Start the engine.

## To Position Platform

- 1 Push and hold the function enable button.



OR

Hold the function enable switch to either side.



- 2 Move the appropriate toggle switch according to the markings on the control panel.

Drive and steer functions are not available from the ground controls.

# Operating Instructions

## Operation from Platform

- 1 Turn the key switch to platform control.
- 2 Pull out both ground and platform red Emergency Stop buttons to the on position.
- 3 Gasoline/LPG models: Choose fuel by moving the fuel select switch to the desired position.
- 4 Start the engine. Do not press down the foot switch when starting the engine.

## To Position Platform

- 1 Press down the foot switch.
- 2 Slowly move the appropriate function control handle or toggle switch according to the markings on the control panel.

## To Steer

- 1 Press down the foot switch.
- 2 Slowly move the drive control handle in the direction indicated by blue or yellow triangles OR press the thumb rocker switch located on top of the drive control handle.

Use the color-coded direction arrows on the platform controls and the drive chassis to identify the direction the wheels will turn.

## To Drive

- 1 Press down the foot switch.
- 2 Increase speed: Slowly move the drive control handle off center.

Decrease speed: Slowly move the drive control handle toward center.

Stop: Return the drive control handle to center or release the foot switch.

Use the color-coded direction arrows on the platform controls and the drive chassis to identify the direction the machine will travel.

Machine travel speed is restricted when the booms are raised.

## Operating Instructions

### ▲ Driving on a slope

Determine the uphill, downhill and side slope ratings for the machine and determine the slope grade.



**Maximum slope rating, platform downhill (gradeability):**

2WD: 30% (17°)

4WD: 40% (22°)



**Maximum slope rating, platform uphill:**

2WD: 15% (9°)

4WD: 40% (22°)



**Maximum side slope rating:**

25% (14°)

Note: Slope rating is subject to ground conditions and adequate traction. The term gradeability applies to the counterweight uphill configuration only.

Be sure the boom is below horizontal and the platform is between the circle-end wheels.

Move the drive speed select switch to machine on incline symbol.

### To determine the slope grade:

Measure the slope with a digital inclinometer OR use the following procedure.

You will need:

- carpenter's level
- straight piece of wood, at least 3 feet / 1 m long
- tape measure

Lay the piece of wood on the slope.

At the downhill end, lay the level on the top edge of the piece of wood and lift the end until the piece of wood is level.

While holding the piece of wood level, measure the vertical distance from the bottom of the piece of wood to the ground.

Divide the tape measure distance (rise) by the length of the piece of wood (run) and multiply by 100.

Example:



Piece of wood = 144 inches (3.6 m)

Run = 144 inches (3.6 m)

Rise = 12 inches (0.3 m)

$12 \text{ in} \div 144 \text{ in} = 0.083 \times 100 = 8.3\% \text{ grade}$

$0.3 \text{ m} \div 3.6 \text{ m} = 0.083 \times 100 = 8.3\% \text{ grade}$

If the slope exceeds the maximum slope or side slope rating, then the machine must be winched or transported up or down the slope. See Transport and Lifting section.

# Operating Instructions

## Drive Enable

Light on indicates that the boom has moved just past either non-steer wheel and the drive function has been interrupted.



To drive, hold the drive enable switch to either side and slowly move the drive control handle off center.

Be aware that the machine may move in the opposite direction that the drive and steer controls are moved.

Always use the color-coded direction arrows on the platform controls and the drive chassis to identify the direction the machine will travel.

## Drive Speed Select



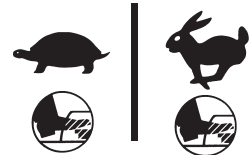
- Machine on incline symbol: Low range operation for inclines or rough terrain
- Machine on level surface symbol: High range operation for maximum drive speed

## Engine Idle Select (rpm)

Select engine idle (rpm) using the symbols on the control panel.

When the foot switch is not pressed, the engine will idle at the lowest rpm.

- Turtle symbol: Foot switch activated low idle
- Rabbit symbol: Foot switch activated high idle



## Generator (if equipped)

To operate the generator, move the generator toggle switch to the on position.

The generator will turn on and the engine will continue to run. Pressing down on the foot switch will turn the generator off. Releasing the foot switch will turn the generator back on.

Plug a power tool into the power to platform GFCI outlet.

To stop the generator, move the generator toggle switch to the off position.

# Operating Instructions

## Machine Not Level Indicator Light (if equipped)



Light on indicates machine is not level. The tilt alarm will be sounding when this light is on. Move the machine to a firm level surface.

## Check Engine Light (if equipped)



Light on and engine stopped: Tag the machine and remove from service.

Light on and engine still running: Contact service personnel within 24 hours.

## Engine Shut-down indicator light (if equipped)



Light on: Tag and remove the machine from service.

## Aircraft Protection Package (if equipped)



If the platform bumper comes into contact with an object, the machine will shut down and no functions will operate.

Move and hold the aircraft protection override switch to operate the machine.

## LCD Screen (if equipped)



The LCD screen displays hour meter, voltage, oil pressure and coolant temperature. The screen also displays fault codes and other service information.

## Perkins Engine

Machines equipped with Perkins diesel engines with an LCD screen have a regeneration mode that should run automatically when needed.

Left amber light on and high temperature text box present: Regeneration mode is running. No service required.

Right side amber light on or flashing: Regeneration is required.

- 1 Push in red Emergency Stop button to turn the machine off.
- 2 Restart the engine. The regeneration mode should run automatically.

Left amber light on and no high temperature text box present: Regeneration mode is turned off. To turn the regeneration mode on:

- 1 Push in red Emergency Stop button to turn the machine off.
- 2 Restart the engine

Flashing red lights: contact service personnel.

Flashing green lights: contact service personnel within 24 hours.

## Deutz engine

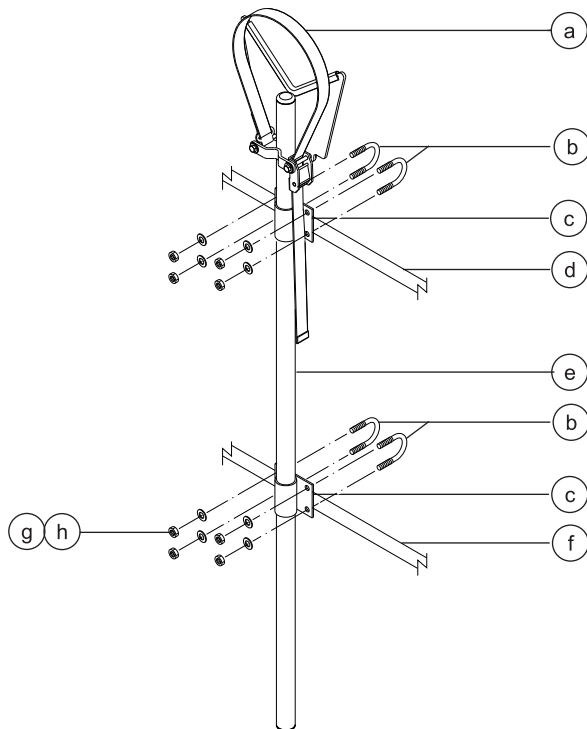
Flashing red lights: contact service personnel.

Flashing green lights: contact service personnel within 24 hours.

## Operating Instructions

### Pipe Cradle Instructions

The pipe cradle assembly consists of 2 pipe cradles positioned at either side of the platform and mounted to the guardrails with U-bolts.



- a strap
- b U-bolts
- c pipe cradle mount
- d upper platform railing
- e pipe cradle weldment
- f middle platform railing
- g flat washers
- h 3/8-inch nylock nuts

### Observe and Obey:

- Pipe cradles must be installed on the inside of the platform.
- Pipe cradles must not obstruct the platform controls or the platform entrance.
- The bottom of the pipe cradle tube must rest on the platform floor.
- Be sure the platform is level before installing a pipe cradle.

### Pipe Cradle Installation

- 1 Install a pipe cradle on each side of the platform. Refer to the illustration on the left. Make sure the bottom of the pipe cradle tube rests on the platform floor.
- 2 Install two U-bolts from the outside of the platform rails through each pipe cradle mount.
- 3 Secure each U-bolt with 2 washers and 2 nuts.

# Operating Instructions

## Pipe Cradle Operation

- 1 Be sure the pipe cradle assembly and installation instructions have been followed properly and that the pipe cradles are secured to the platform railings.
  - 2 Place the load so that it rests in both pipe cradles. The length of the load should be parallel with the length of the platform.
  - 3 Center the load in the pipe cradles.
  - 4 Secure the load to each pipe cradle. Pass the nylon strap over the load. Depress the buckle and slide the strap through. Tighten the strap.
  - 5 Gently push and pull on the load to make sure the pipe cradles and load are secure.
  - 6 Keep the load secured when the machine is moving.
- ▲ Tip-over hazard. The weight of the pipe cradle assembly and the load in the pipe cradles will reduce the rated platform capacity of the machine and must be factored into the total platform load.
- ▲ Tip-over hazard. The weight of the pipe cradle assembly and the load in the pipe cradles may limit the maximum number of occupants in the platform.

---

### Maximum Pipe Cradle Capacity

---

All models	200 lbs 90.7 kg
Pipe Cradle Assembly Weight	21 lbs 9.5 kg

---

## Panel Cradle Assembly

- 1 Apply the warning decal to the front of each panel cradle (if needed).
- 2 Install rubber bumper 1 in the panel cradle base. See the illustration.
- 3 Secure the bumper with 2 high profile lock nuts and 2 washers.

## Panel Cradle Installation

- 1 Insert the hook piece through the slots in the panel cradle base.
- 2 Hook the panel cradle to the bottom platform tube in the desired location.
- 3 Install rubber bumper 2 through the panel cradle base and the hook piece. See the illustration.
- 4 Secure with 2 low profile lock nuts.
- 5 If the panel cradle is installed at a platform floor support tube, insert the U-bolt through the floor, around the tube and into the panel cradle base.
- 6 Secure the U-bolt with 2 nuts and 2 washers. Proceed to step 9.
- 7 If the panel cradle is not installed at a platform floor support tube, use the aluminum tube provided.
- 8 Place the tube between the panel cradle and the platform floor. Insert the U-bolt through the floor, around the tube and into the panel cradle base.
- 9 Repeat above for the second set of parts.



# Operating Instructions

## Installation of Padding

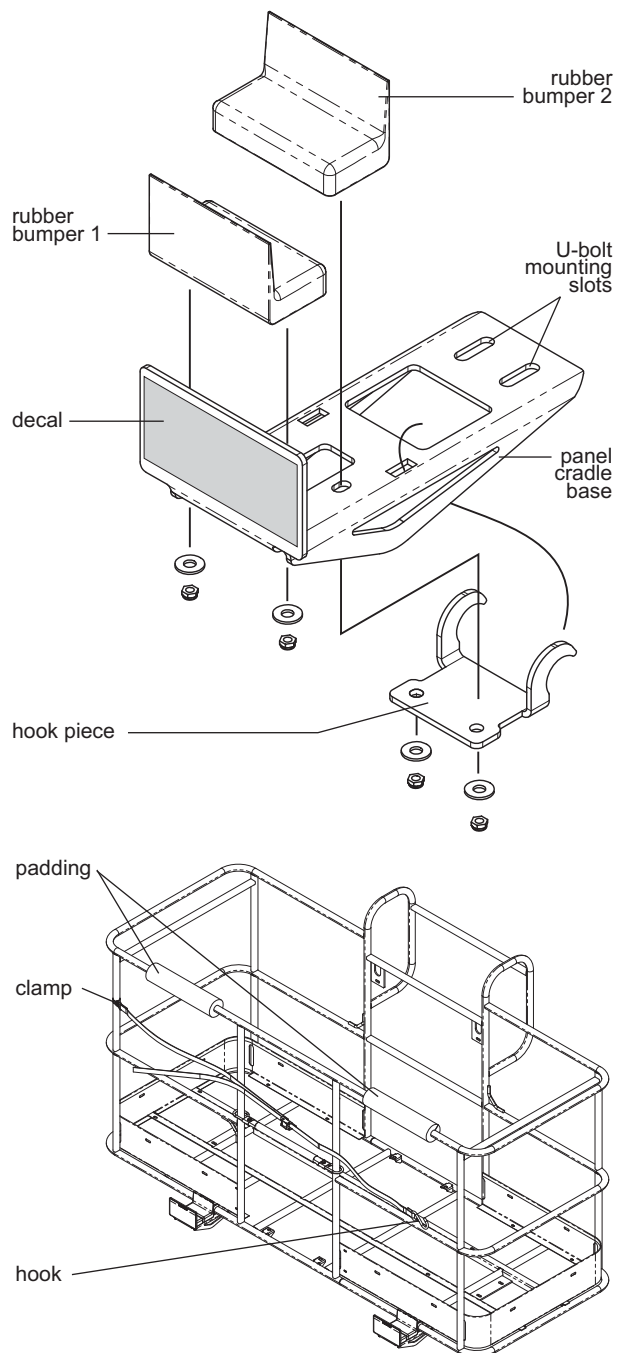
- 1 Install the 2 pieces of padding on the platform rails. Position the padding to protect the panels from contact with the platform rails.

## Installation of Strap

- 1 Open the clamp and install it around a vertical platform rail tube.
- 2 Insert a bolt with a washer through one side of the clamp.
- 3 Install the strap assembly end plate onto the bolt.
- 4 Insert the bolt through the other side of the clamp.
- 5 Secure with a washer and a nut. Do not over-tighten. The strap assembly end plate should be able to slide on the platform rail.

## Panel Cradle Operation

- 1 Secure both panel cradles to the platform.
- 2 Place the load so that it rests in both panel cradles.
- 3 Center the load on the platform.
- 4 Secure the load to the platform using the strap. Tighten the strap.



---

# Operating Instructions

## After Each Use

- 1 Select a safe parking location—firm level surface, clear of obstruction and traffic.
- 2 Retract and lower the boom to the stowed position.
- 3 Rotate the turntable so that the boom is between the non-steer wheels.
- 4 Turn the key switch to the off position and remove the key to secure from unauthorized use.
- 5 Chock the wheels.

## Transport and Lifting Instructions



### Observe and Obey:

- ☑ Genie provides this securement information as a recommendation. Drivers are solely responsible for making sure machines are properly secured and the correct trailer is selected pursuant to US Department of Transportation regulations, other localized regulations, and their company policy.
- ☑ Genie customers needing to containerize any lift or Genie product should source a qualified freight forwarder with expertise in preparing, loading and securing construction and lifting equipment for international shipment.
- ☑ Only qualified aerial lift operators should move the machine on or off the truck.
- ☑ The transport vehicle must be parked on a level surface.
- ☑ The transport vehicle must be secured to prevent rolling while the machine is being loaded.
- ☑ Be sure the vehicle capacity, loading surfaces and chains or straps are sufficient to withstand the machine weight. Genie lifts are very heavy relative to their size. See the serial label for the machine weight.

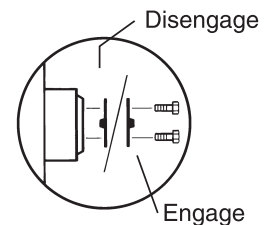
- ☑ Be sure the turntable is secured with the turntable rotation lock before transporting. Be sure to unlock the turntable for operation.
- ☑ Do not drive the machine on a slope that exceeds the uphill, downhill or side slope rating. See Driving on a Slope in the Operating Instructions section.
- ☑ If the slope of the transport vehicle bed exceeds the maximum slope rating, the machine must be loaded and unloaded using a winch as described in the brake release operation.

### Free-wheel Configuration for Winching

Chock the wheels to prevent the machine from rolling.

2WD models: Release the non-steer wheel brakes by turning over the drive hub disconnect caps.

4WD models: Release the wheel brakes by turning over all four drive hub disconnect caps.



Be sure the winch line is properly secured to the drive chassis tie points and the path is clear of all obstructions.

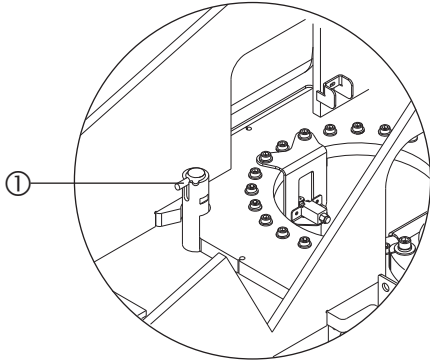
Reverse the procedures described to re-engage the brakes.

Note: Towing the Genie S-40 or the S-45 is not recommended. If the machine must be towed, do not exceed 2 mph / 3.2 km/h.

## Transport and Lifting Instructions

### Securing to Truck or Trailer for Transit

**Always use the turntable rotation lock pin each time the machine is transported.**



#### 1 Turntable rotation lock pin

Turn the key switch to the off position and remove the key before transporting.

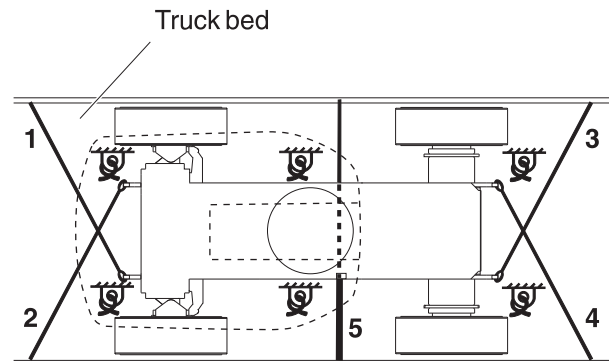
Inspect the entire machine for loose or unsecured items.

### Securing the Chassis

Use chains or straps of ample load capacity.

Use a minimum of 5 chains.

Adjust the rigging to prevent damage to the chains.

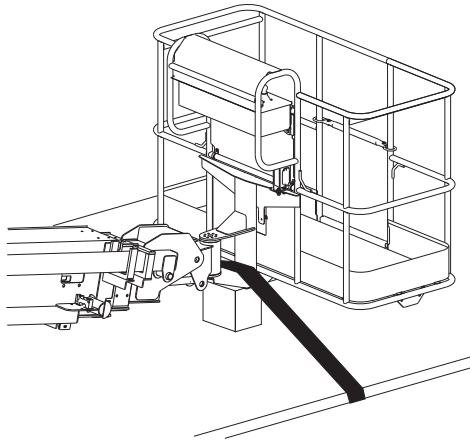


## Transport and Lifting Instructions

### Securing the Platform - S-40

Place a block under the platform rotator. Do not allow the block to contact the platform cylinder.

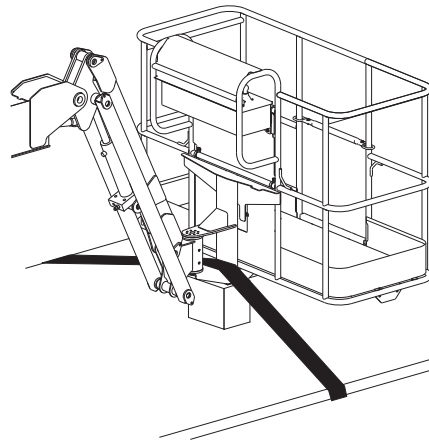
Secure the platform with a nylon strap placed through the lower platform support. Do not use excessive downward force when securing the boom section.



### Securing the Platform - S-45

Place a block under the platform rotator. Do not allow the block to contact the platform cylinder.

Secure the platform with a nylon strap placed through the lower platform support. Do not use excessive downward force when securing the boom section.



# Transport and Lifting Instructions



## Observe and Obey:

- ☑ Only qualified riggers should rig and lift the machine.
- ☑ Be sure the crane capacity, loading surfaces and straps or lines are sufficient to withstand the machine weight. See the serial label for the machine weight.

## Lifting Instructions

Fully lower and retract the boom. Move the jib boom parallel with the ground. Remove all loose items on the machine.

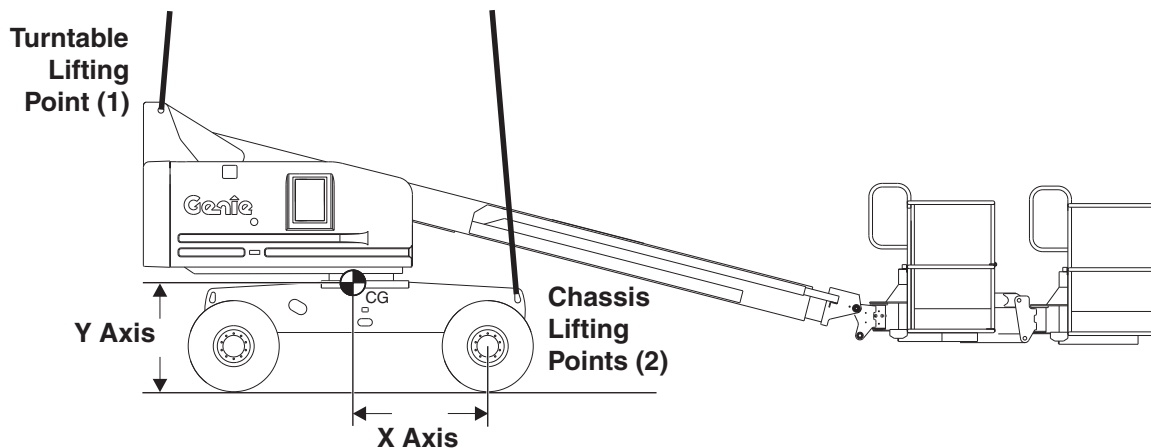
Use the turntable rotation lock to secure the turntable.

Determine the center of gravity of your machine using the table and the picture on this page.

Attach the rigging only to the designated lifting points on the machine. There are two lifting points on the chassis and one on the turntable.

Adjust the rigging to prevent damage to the machine and to keep the machine level.

Center of gravity	X Axis	Y Axis
S-40	4.14 ft 1.34 m	3.23 ft 98 cm
S-45	3.86 ft 1.18 m	3.12 ft 95cm



# Maintenance



## Observe and Obey:

- ☑ Only routine maintenance items specified in this manual shall be performed by the operator.
- ☑ Scheduled maintenance inspections shall be completed by qualified service technicians, according to the manufacturer's specifications and the requirements specified in the responsibilities manual.
- ☑ Use only Genie approved replacement parts.

## Maintenance Symbols Legend

The following symbols have been used in this manual to help communicate the intent of the instructions. When one or more of the symbols appear at the beginning of a maintenance procedure, it conveys the meaning below.



Indicates that tools will be required to perform this procedure.



Indicates that new parts will be required to perform this procedure.



Indicates that a cold engine is required before performing this procedure.

## Check the Engine Oil Level



Maintaining the proper engine oil level is essential to good engine performance and service life. Operating the machine with an improper oil level can damage engine components.

Note: Check the oil level with the engine off.

- 1 Check the oil level dipstick. Add oil as needed.

---

### Ford DSG-423 EFI Engine

Oil type	5W-20
----------	-------

---

### Ford MSG-425 EFI Engine

Oil type	5W-20
----------	-------

---

### Perkins 404C-22 Engine

Oil type	15W-40
----------	--------

Oil type - cold conditions	5W-20
----------------------------	-------

---

### Perkins 404D-22 Engine

Oil type	15W-40
----------	--------

Oil type - cold conditions	5W-40
----------------------------	-------

---

### Perkins 404F-22 Engine

Oil type	15W-40
----------	--------

Oil type - cold conditions	5W-40
----------------------------	-------

---

### Deutz F3L 2011F Engine

Oil type	15W-40
----------	--------

Oil type - cold conditions	5W-30
----------------------------	-------

---

### Deutz D2011 L03i Engine

Oil type	15W-40
----------	--------

Oil type - cold conditions	5W-30
----------------------------	-------

---

### Deutz D2.9 L4 Engine

Oil type	15W-40
----------	--------

Oil type - cold conditions	5W-30
----------------------------	-------

# Maintenance

## Diesel Fuel Requirements



Satisfactory engine performance is dependent on the use of a good quality fuel. The use of a good quality fuel will give the following result: long engine life and acceptable exhaust emissions levels.

Minimum diesel fuel requirements for each engine are listed below.

---

### Perkins 404C-22 Engine

Fuel Type	Low Sulfur Diesel (LSD)
-----------	-------------------------

---

### Perkins 404D-22 Engine

Fuel Type	Low Sulfur Diesel (LSD)
-----------	-------------------------

---

### Perkins 404F-22 Engine

Fuel Type	Ultra Low Sulfur Diesel (ULSD)
-----------	--------------------------------

---

### Deutz F3L 2011F Engine

Fuel Type	Low Sulfur Diesel (LSD)
-----------	-------------------------

---

### Deutz D2011 L03i Engine

Fuel Type	Low Sulfur Diesel (LSD)
-----------	-------------------------

---

### Deutz D2.9 L4 Engine

Fuel Type	Ultra Low Sulfur Diesel (ULSD)
-----------	--------------------------------

---

## Check the Hydraulic Oil Level



Maintaining the hydraulic oil at the proper level is essential to machine operation. Improper hydraulic oil levels can damage hydraulic components. Daily checks allow the inspector to identify changes in oil level that might indicate the presence of hydraulic system problems.

- 1 Be sure that the boom is in the stowed position.
- 2 Visually inspect the sight gauge located on the side of the hydraulic oil tank.
- ⊙ Result: The hydraulic oil level should be within the top 2 inches / 5 cm of the sight gauge.
- 3 Add oil as needed. Do not overfill.

---

### Hydraulic oil specifications

Hydraulic oil type	Chevron Rando HD equivalent
--------------------	-----------------------------

---



## Maintenance

### Check the Engine Coolant Level – Liquid Cooled Models



Maintaining the engine coolant at the proper level is essential to engine service life. Improper coolant level will affect the engine's cooling capability and damage engine components. Daily checks will allow the inspector to identify changes in coolant level that might indicate cooling system problems.

- ▲ Burn hazard. Beware of hot engine parts and coolant. Contact with hot engine parts and/or coolant may cause severe burns.
  - ▲ Burn hazard. Do not remove the radiator cap if the engine has been running. Contact with pressurized coolant may cause severe burns. Allow engine to cool before removing the radiator cap.
- 1 Check the fluid level in the coolant recovery tank. Add fluid as needed.
- ⊙ Result: The fluid level should be at the FULL mark on the tank or visible in the sight gauge.

### Check the Batteries



Proper battery condition is essential to good machine performance and operational safety. Improper fluid levels or damaged cables and connections can result in component damage and hazardous conditions.

- ▲ Electrocution hazard. Contact with hot or live circuits may result in death or serious injury. Remove all rings, watches and other jewelry.
  - ▲ Bodily injury hazard. Batteries contain acid. Avoid spilling or contacting battery acid. Neutralize battery acid spills with baking soda and water.
- 1 Put on protective clothing and eye wear.
  - 2 Be sure that the battery cable connections are tight and free of corrosion.
  - 3 Be sure that the battery hold-down brackets are in place and secure.

Note: Adding terminal protectors and a corrosion preventative sealant will help eliminate the corrosion on the battery terminals and cables.

---

# Maintenance

## Scheduled Maintenance

Maintenance performed quarterly, annually and every two years must be completed by a person trained and qualified to perform maintenance on this machine according to the procedures found in the service manual for this machine.

Machines that have been out of service for more than three months must receive the quarterly inspection before they are put back into service.

# Specifications

Model	S-40	
Height, working maximum	46 ft	14.2 m
Height, platform maximum	40 ft	12.2 m
Height, stowed maximum	8 ft 2 in	2.49 m
Horizontal reach, maximum	31 ft 8 in	9.7 m
Width	7 ft 6 in	2.3 m
Length, stowed	24 ft 3 in	7.39 m
Maximum load capacity	500 lbs	227 kg
Maximum wind speed	28 mph	12.5 m/s
Wheelbase	7 ft 3 in	2.2 m
Turning radius (outside)	15 ft 8 in	4.78 m
Turning radius (inside)	6 ft 8 in	2.03 m
Turntable rotation (degrees)	Continuous	
Turntable tailswing	34 in	86.4 cm
Controls	12V DC proportional	
Platform dimensions, 4 foot (length x width)	48 x 30 in	122 x 76 cm
Platform dimensions, 5 foot (length x width)	60 x 30 in	152 x 76 cm
Platform dimensions, 6 foot (length x width)	72 x 30 in	182 x 76 cm
Platform dimensions, 8 foot (length x width)	96 x 36 in	244 x 91 cm
Platform leveling	self-leveling	
Platform rotation	160°	
AC outlet in platform	standard	
Ground clearance	12 <sup>1/2</sup> in	32 cm
Tire size, 2 WD Industrial		
front tires only	12.5L-16SL	
rear tires only	12-16.5 NHS	
Tire size, RT	12-16.5 NHS	
Tire size, Hi-flotation	33/16LL500	

Fuel tank capacity	20 gallons	76 liters
Hydraulic pressure, maximum (boom functions)	2600 psi	179 bar
System voltage	12V	
Weight	12,320 lbs	5,588 kg

(Machine weights vary with option configurations. See serial label for specific machine weight.)

### Airborne noise emissions

Sound pressure level at ground workstation	<84 dBA
Sound pressure level at platform workstation	<76 dBA
Vibration value does not exceed	2.5 m/s <sup>2</sup>

### Maximum slope rating, stowed position, 2WD

Counterweight uphill	30%	17°
Counterweight downhill	15%	9°
Side slope	25%	14°

### Maximum slope rating, stowed position, 4WD

Counterweight uphill	40%	22°
Counterweight downhill	40%	22°
Side slope	25%	14°

Note: Slope rating is subject to ground conditions and adequate traction.

### Drive speeds

Drive speed, stowed	4.8 mph	7.7 km/h
	40 ft/11 sec	12.2m/11 sec
Drive speed, raised or extended – all models	0.7 mph	1.1 km/h
	40 ft/40 sec	12.2 m/40 sec

### Floor loading information

Tire load maximum	6,700 lbs	3,040 kg
Tire contact pressure	45 psi	3.2 kg / cm <sup>2</sup> 310 kPa
Occupied floor pressure	162 psf	791 kg / m <sup>2</sup> 7.76 kPa

Note: Floor loading information is approximate and does not incorporate different option configurations. It should be used only with adequate safety factors.

Continuous improvement of our products is a Genie policy. Product specifications are subject to change without notice or obligation.

# Specifications

Model	S-45	
Height, working maximum	51 ft	15.7 m
Height, platform maximum	45 ft	13.7 m
Height, stowed maximum	8 ft 2 in	2.49 m
Horizontal reach, maximum	36 ft 8 in	11.2 m
Width	7 ft 6 in	2.3 m
Length, stowed	27 ft 10in	8.5
Maximum load capacity	500 lbs	227 kg
Maximum wind speed	28 mph	12.5 m/s
Wheelbase	7 ft 3 in	2.2 m
Turning radius (outside)	15 ft 8 in	4.78 m
Turning radius (inside)	6 ft 8 in	2.03 m
Turntable rotation (degrees)	Continuous	
Turntable tailswing	34 in	86.4 cm
Controls	12V DC proportional	
Platform dimensions, 4 foot (length x width)	48 x 30 in	122 x 76 cm
Platform dimensions, 5 foot (length x width)	60 x 30 in	152 x 76 cm
Platform dimensions, 6 foot (length x width)	72 x 30 in	182 x 76 cm
Platform dimensions, 8 foot (length x width)	96 x 36 in	244 x 91 cm
Platform leveling	self-leveling	
Platform rotation	160°	
AC outlet in platform	standard	
Ground clearance	12 <sup>1/2</sup> in	32 cm
Tire size, 2 WD Industrial		
front tires only	12.5L-16SL	
rear tires only	12-16.5 NHS	
Tire size, RT	12-16.5 NHS	
Tire size, Hi-flotation	33/16LL500	

Fuel tank capacity	20 gallons	76 liters
Hydraulic pressure, maximum (boom functions)	2900 psi	179 bar
System voltage	12V	
Weight	15,230 lbs	6,981 kg

(Machine weights vary with option configurations. See serial label for specific machine weight.)

### Airborne noise emissions

Sound pressure level at ground workstation	<84 dBA
Sound pressure level at platform workstation	<76 dBA
Vibration value does not exceed	2.5 m/s <sup>2</sup>

### Maximum slope rating, stowed position, 2WD

Counterweight uphill	30%	17°
Counterweight downhill	15%	9°
Side slope	25%	14°

### Maximum slope rating, stowed position, 4WD

Counterweight uphill	40%	22°
Counterweight downhill	40%	22°
Side slope	25%	14°

Note: Slope rating is subject to ground conditions and adequate traction.

### Drive speeds

Drive speed, stowed	4.8 mph	7.7 km/h
	40 ft/11 sec	12.2m/11 sec
Drive speed, raised or extended – all models	0.7 mph	1.1 km/h
	40 ft/40 sec	12.2 m/40 sec

### Floor loading information

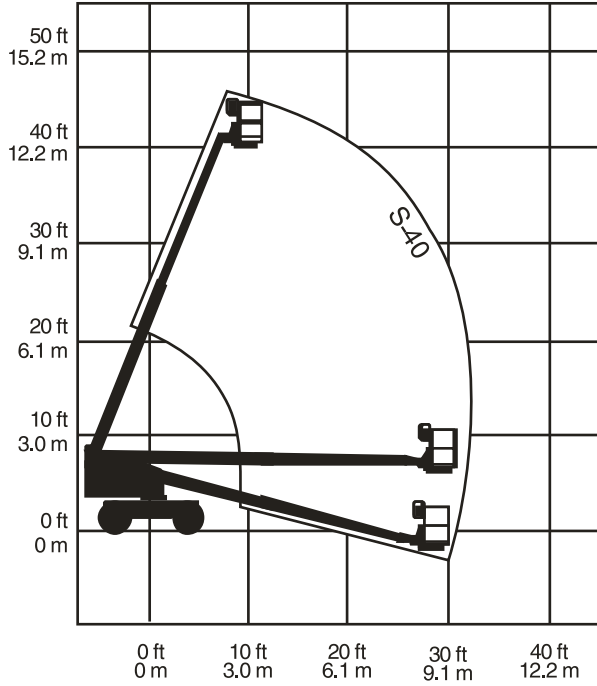
Tire load maximum	8,500 lbs	3,855 kg
Tire contact pressure	45 psi	3.2 kg / cm <sup>2</sup> 310 kPa
Occupied floor pressure	204 psf	996 kg / m <sup>2</sup> 9.77 kPa

Note: Floor loading information is approximate and does not incorporate different option configurations. It should be used only with adequate safety factors.

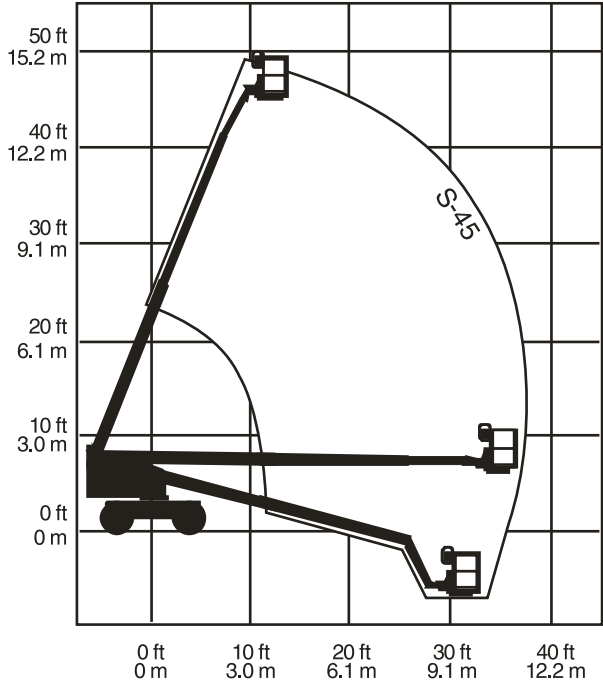
Continuous improvement of our products is a Genie policy. Product specifications are subject to change without notice or obligation.

# Specifications

### S-40 Range of Motion



### S-45 Range of Motion



Distributed By:

California Proposition 65

## Warning

The exhaust from this product contains chemicals known to the State of California to cause cancer, birth defects or other reproductive harm.